

Customer Information Sheet

DRAWING No.: S70-22010X045R

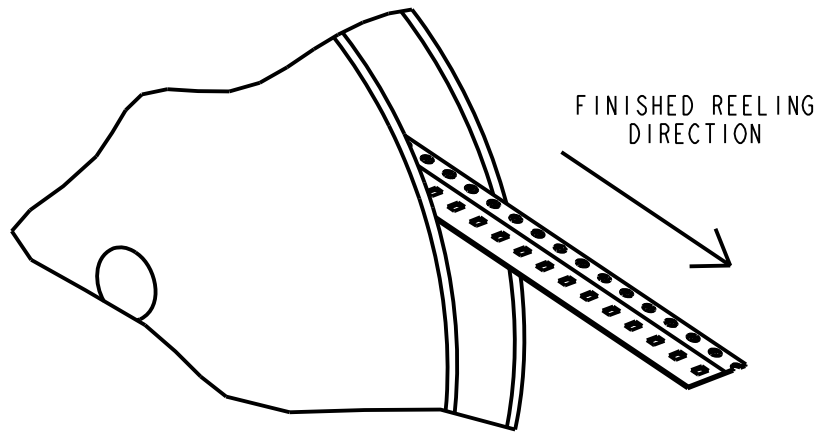
IF IN DOUBT - ASK

©

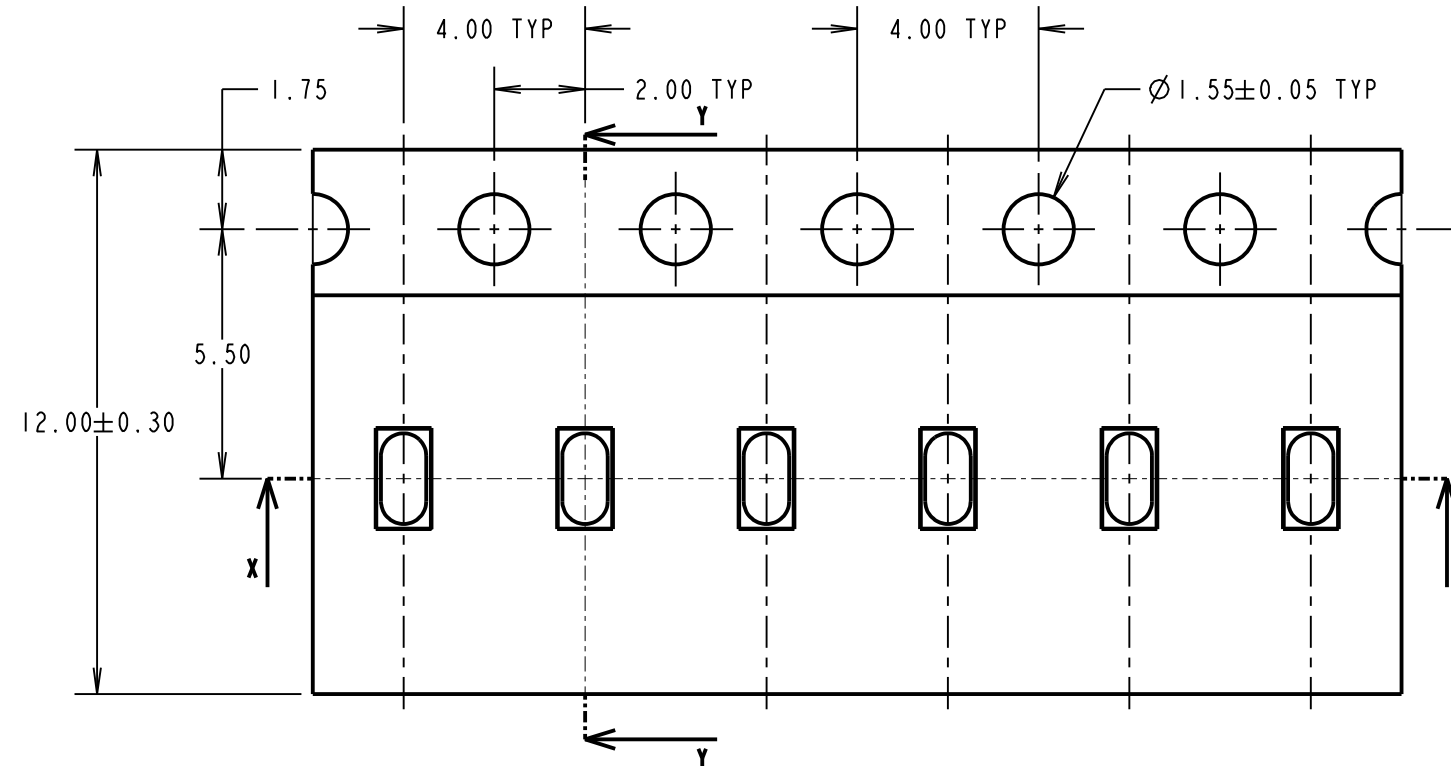
NOT TO SCALE

THIRD ANGLE PROJECTION

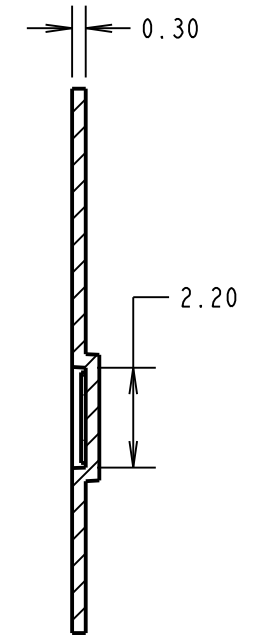
ALL DIMENSIONS IN mm



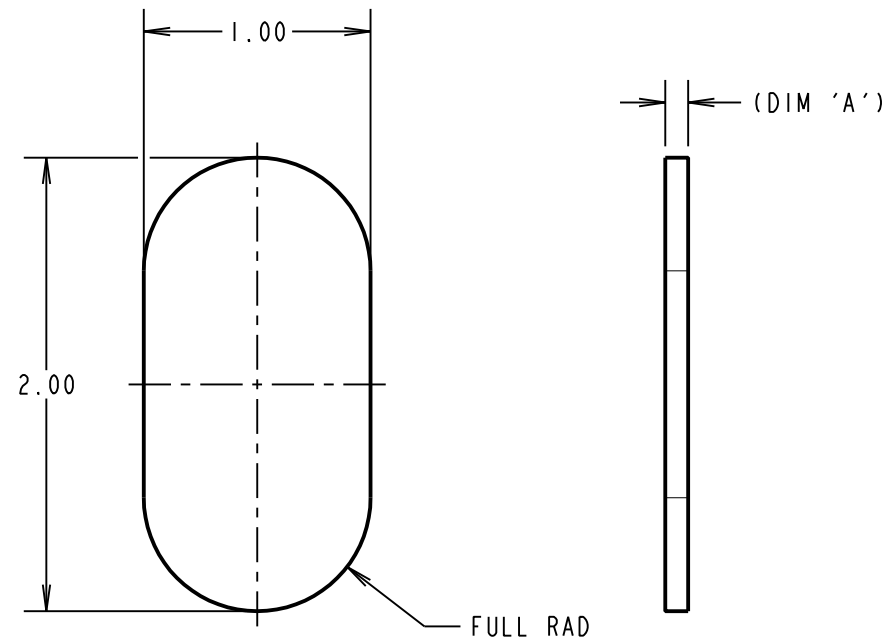
COMPONENT DETAILS



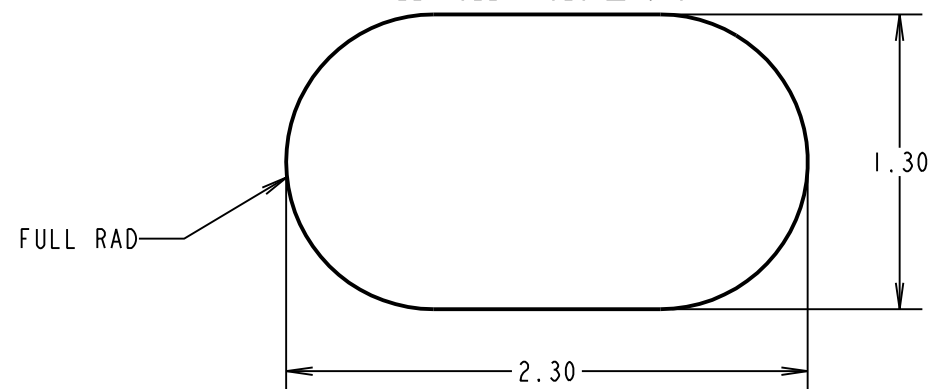
SECTION X-X



SECTION Y-Y



RECOMENDED PCB LAYOUT
ALL TOLERANCES ± 0.05



PART	DIM 'A'
S70-220101045R	0.10 \pm 0.05
S70-220102045R	0.20 \pm 0.05

ORDER CODE:

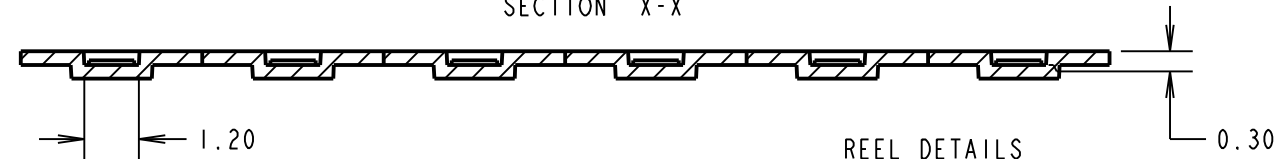
S70-22010XX45R

SIZE:

LENGTH

WIDTH

DIM 'A' = THICKNESS



REEL DETAILS

SPECIFICATIONS:

FINISH:

0.025 - 0.075 μ m GOLD OVER 1.50 - 3.0 μ m NICKEL

ELECTRICAL:

CURRENT RATING = 6.0A

CONTACT RESISTANCE = 0.15m Ω

ENVIRONMENTAL:

OPERATING TEMPERATURE = -40°C TO +180°C

NOTES:

1. QUANTITY OF COMPONENTS PER REEL = 9000.
2. PRODUCT IS TAPE AND REELED IN GENERAL ACCORDANCE WITH EIA-481 (ELECTRONIC INDUSTRIES ASSOCIATION).

RA	ISS.	DATE	C/NOTE
5		20.02.20	22028
APPROVED:		R.ALEXANDER	
CHECKED:		R.PORTLOCK	
DRAWN:		M.PERREN	
CUSTOMER REF.:			
ASSEMBLY DRG:			

HARWIN

www.harwin.com
technical@harwin.com

THIS DRAWING AND ANY INFORMATION OR DESCRIPTIVE MATTER SET OUT HEREON ARE CONFIDENTIAL AND COPYRIGHT PROPERTY OF THE HARWIN GROUP AND MUST NOT BE DISCLOSED, LOANED, COPIED OR USED FOR MANUFACTURING, TENDERING OR FOR ANY OTHER PURPOSE WITHOUT THEIR WRITTEN PERMISSION.

TOLERANCES

X. = ± 1 mm
X.X = ± 0.50 mm
X.XX = ± 0.20 mm
X.XXX = ± 0.01 mm
ANGLES = $\pm 5^\circ$
UNLESS STATED

MATERIAL:

BERYLLIUM COPPER

FINISH: SEE ABOVE

S/AREA: mm²

TITLE:

SMT POGO PIN CONTACT PAD

DRAWING NUMBER:

S70-22010XX45R

SHT
2
OF
2