

Customer Information Sheet

DRAWING No.: M300-3240696M1

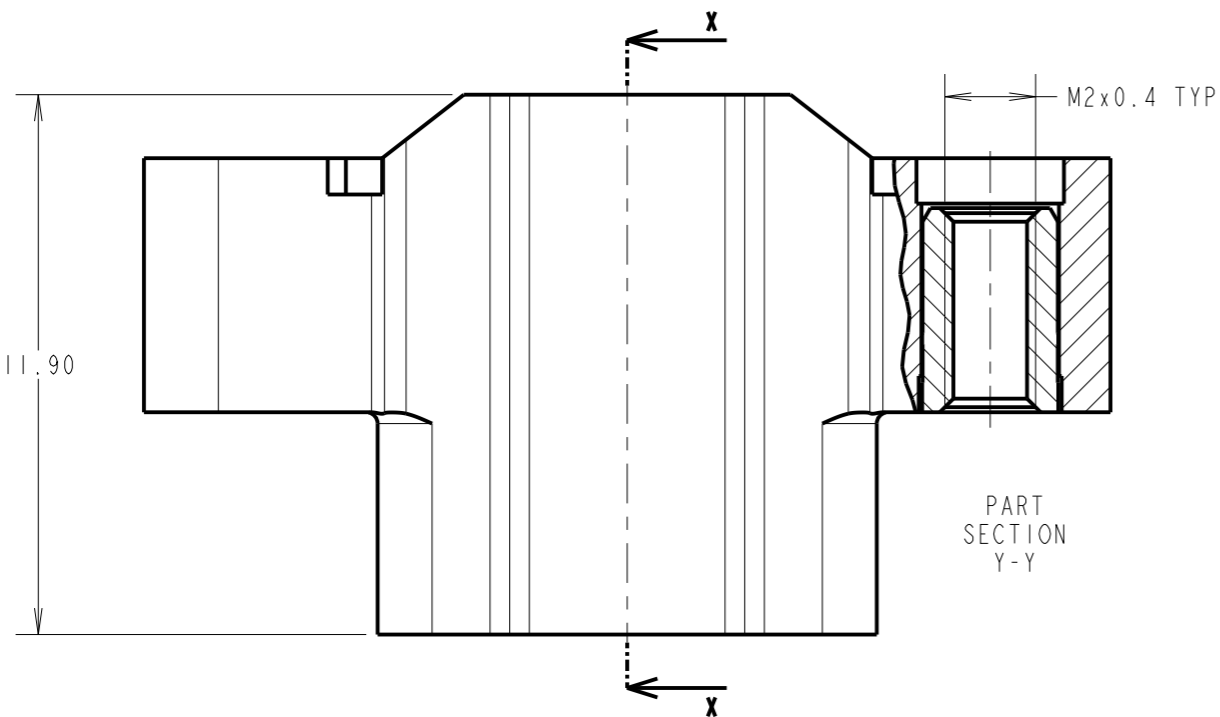
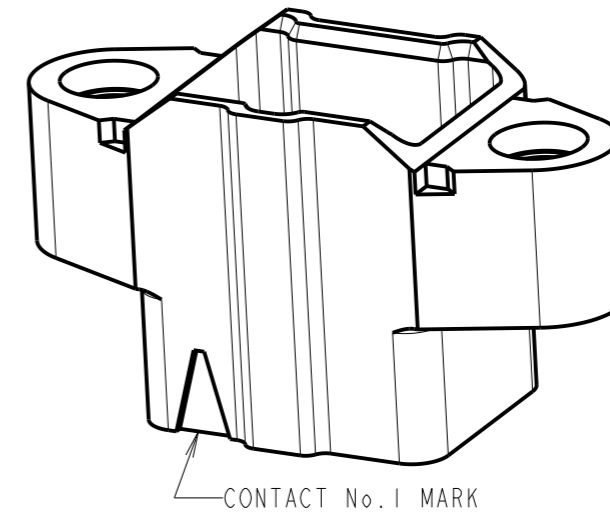
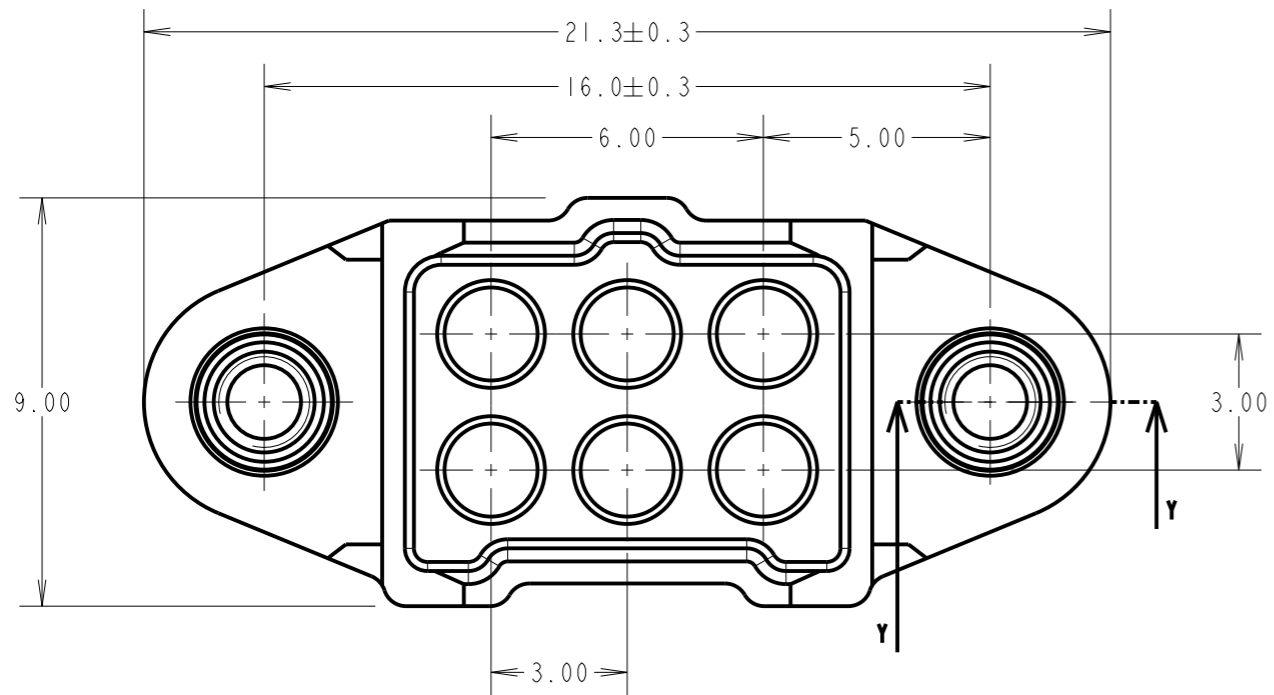
IF IN DOUBT - ASK

©

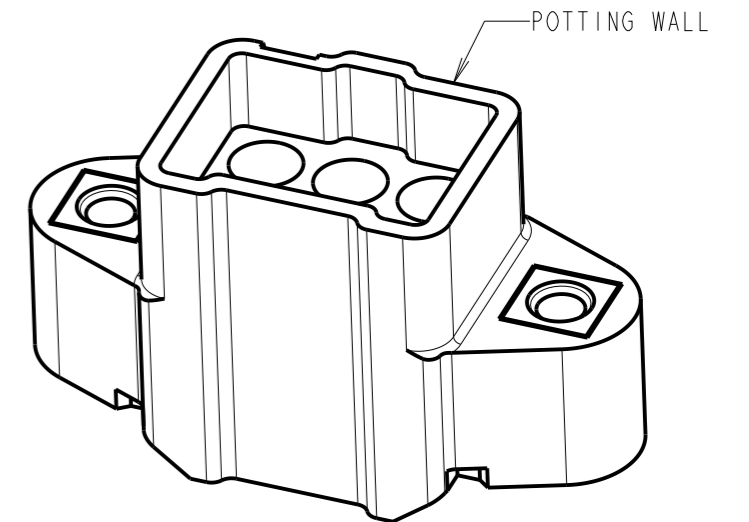
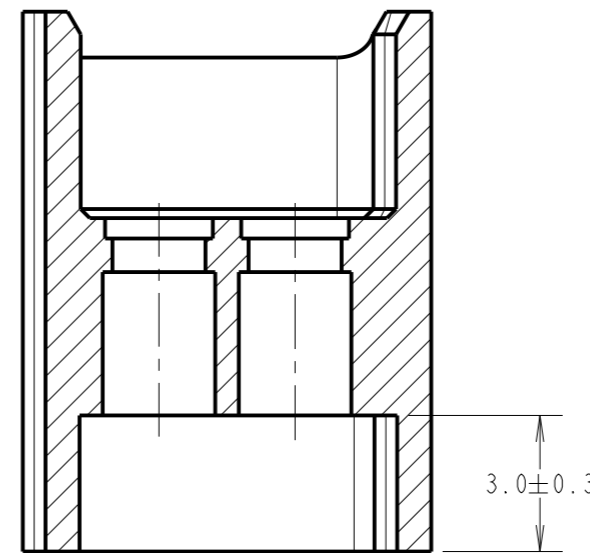
NOT TO SCALE

THIRD ANGLE PROJECTION

ALL DIMENSIONS IN mm



SECTION X-X



RTP	2	09.12.21	31253
NAME	ISS.	DATE	CN/CO
APPROVED: R.PORTLOCK			
CHECKED: M.RUDKIN			
DRAWN: MARK G PLESTED			
CUSTOMER REF.:			
ASSEMBLY DRG:			

- NOTES:
 1. FOR USE WITH M300-1010045 & M300-1020045 CONTACTS (NOT INCLUDED).
 2. SEE COMPONENT SPECIFICATION C048XX (LATEST ISSUE) FOR PRODUCT SPECIFICATION AND WIRING/CRIMPING ASSEMBLY INSTRUCTIONS.

HARWIN

www.harwin.com
 technical@harwin.com

THIS DRAWING AND ANY INFORMATION OR DESCRIPTIVE MATTER SET OUT HEREON ARE CONFIDENTIAL AND COPYRIGHT PROPERTY OF THE HARWIN GROUP AND MUST NOT BE DISCLOSED, LOANED, COPIED OR USED FOR MANUFACTURING, TENDERING OR FOR ANY OTHER PURPOSE WITHOUT THEIR WRITTEN PERMISSION.

TOLERANCES

X. = ±1mm
 X.X = ±0.50mm
 X.XX = ±0.20mm
 X.XXX = ±0.01mm
 ANGLES = ±5°
 UNLESS STATED

MATERIAL:

SEE ABOVE

FINISH:

SEE ABOVE

S/AREA:

mm²

TITLE: 1mm POWER CONNECTOR
 DIL CRIMP HOUSING WITH
 POTTING WALL MALE ASSEMBLY

DRAWING NUMBER:

M300-3240696M1

SHT
 2 OF 2