

# Customer Information Sheet

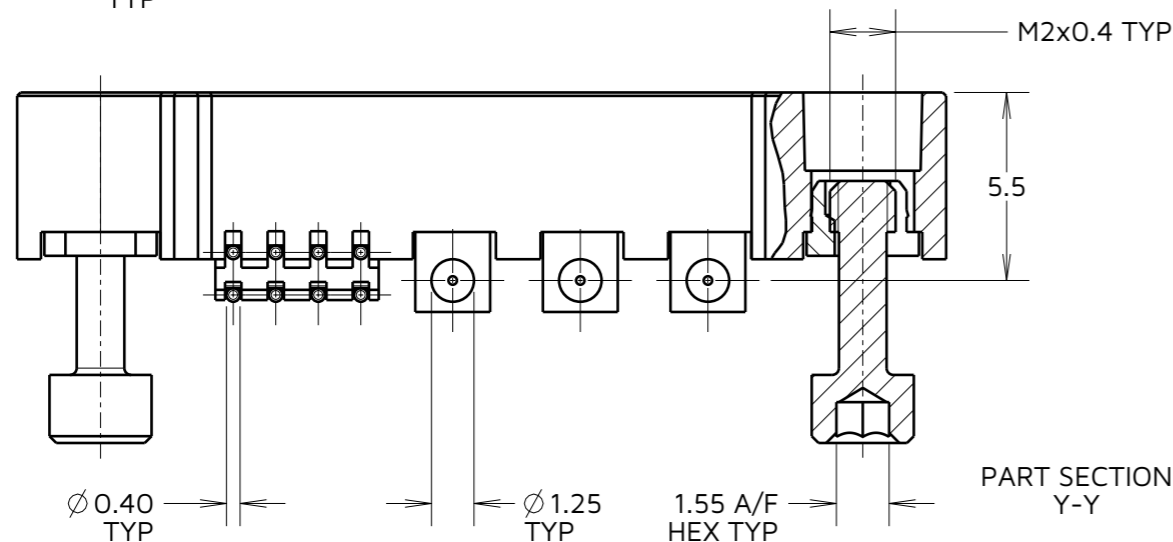
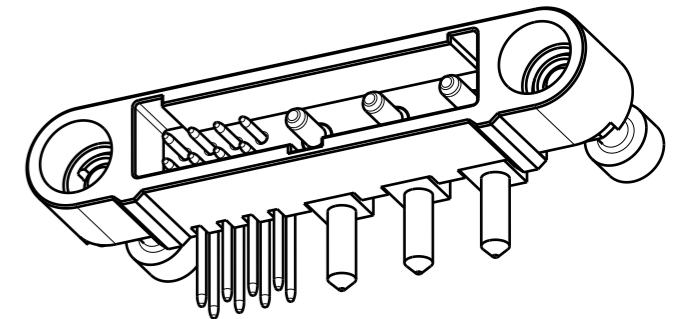
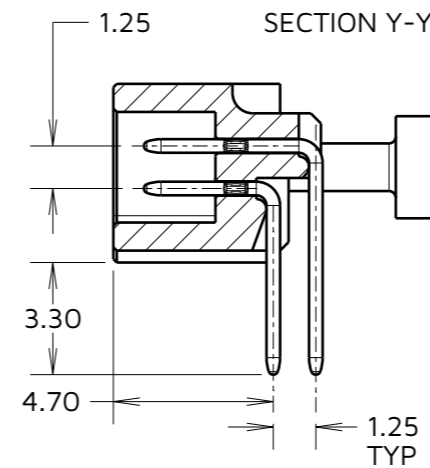
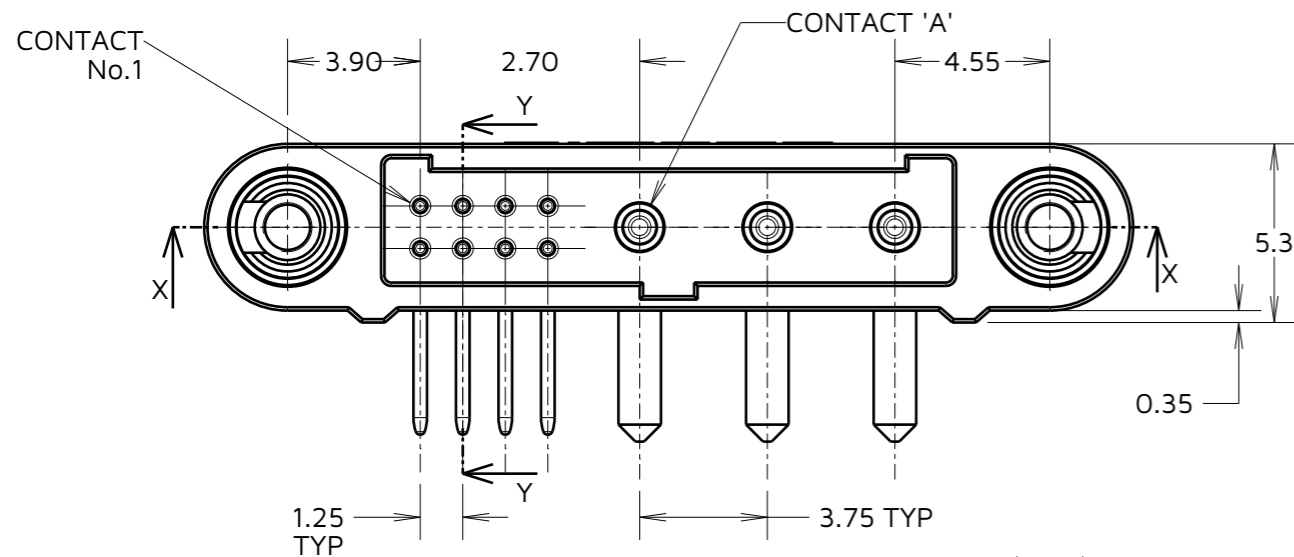
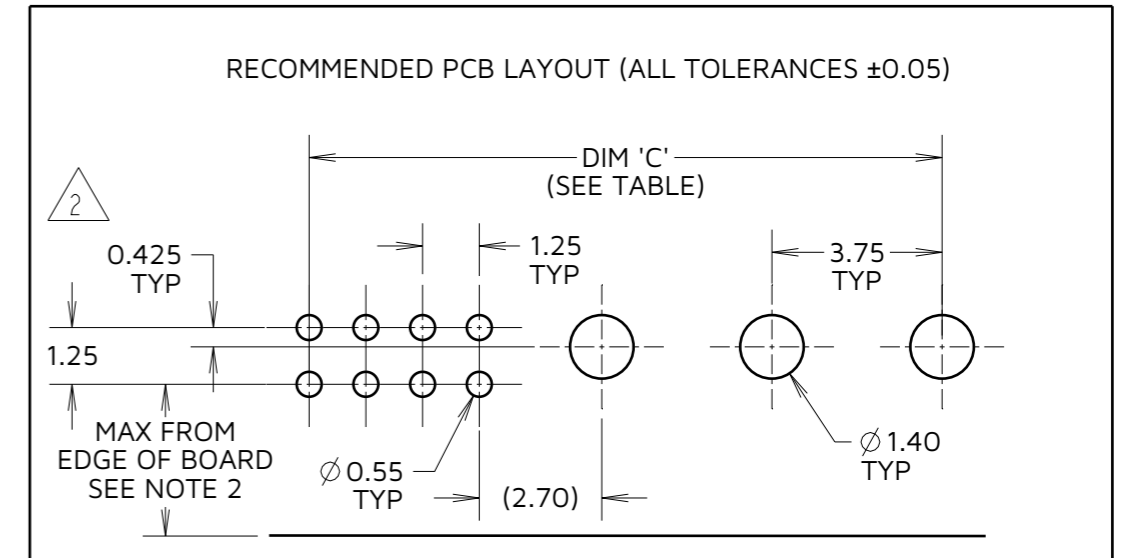
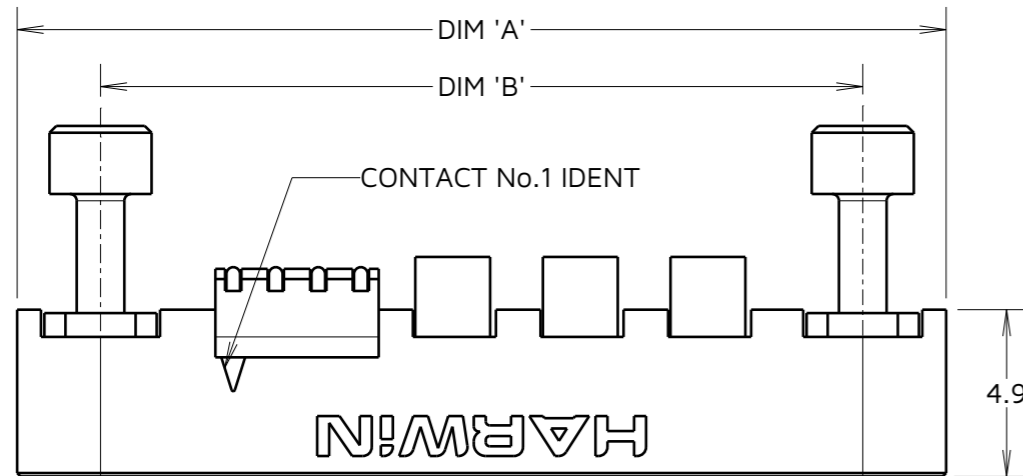
IF IN DOUBT - ASK

©

NOT TO SCALE

THIRD ANGLE PROJECTION

ALL DIMENSIONS IN mm



**NOTES:**

- FOR MATERIALS, FINISH AND PERFORMANCE SEE COMPONENT SPECIFICATION C125XX (LATEST ISSUE).
- MAX DISTANCE OF NEARSIDE CONTACTS TO BOARD EDGE WHEN MATED WITH:
  - UNSHIELDED CABLE: 4.90mm
  - SHIELDED CABLE: 2.75mm
- DRAWING SHOWS PART G125-MH108M3-03AD000P

TABLE 1: DIMENSION CALCULATIONS

DIMENSION	CALCULATION
DIM 'A'	$((\text{TOTAL No. OF SIGNAL CONTACTS} - 2) \times 0.625) + ((\text{TOTAL No. OF POWER CONTACTS} - 1) \times 3.75) + 16.05$
DIM 'B'	$((\text{TOTAL No. OF SIGNAL CONTACTS} - 2) \times 0.625) + ((\text{TOTAL No. OF POWER CONTACTS} - 1) \times 3.75) + 11.15$
DIM 'C'	$((\text{TOTAL No. OF SIGNAL CONTACTS} - 2) \times 0.625) + ((\text{TOTAL No. OF POWER CONTACTS} - 1) \times 3.75) + 2.70$

AY	2	16.11.23	33301
NAME	ISS.	DATE	CN/CO
APPROVED: A.YEOMANS			
CHECKED: A.BOXALL			
DRAWN: R.PORTLOCK			
ASSEMBLY DRG:			

ORDER CODE:

**G125-MH1XXM3-XXAD000P**

No. OF SIGNAL CONTACTS:  
SEE TABLE 2

No. OF POWER CONTACTS:  
SEE TABLE 2

**HARWIN**

www.harwin.com

TOLERANCES  
 X. = ±1mm  
 X.X = ±0.50mm  
 X.XX = ±0.20mm  
 X.XXX = ±0.01mm  
 ANGLES = ±5°  
 UNLESS STATED

THIS DRAWING AND ANY INFORMATION OR DESCRIPTIVE MATTER SET OUT HEREON ARE CONFIDENTIAL AND COPYRIGHT PROPERTY OF THE HARWIN GROUP AND MUST NOT BE DISCLOSED, LOANED, COPIED OR USED FOR MANUFACTURING, TENDERING OR FOR ANY OTHER PURPOSE WITHOUT THEIR WRITTEN PERMISSION.

MATERIAL:  
  
SEE NOTE 1

TITLE:  
**GECKO MT SERIES MALE HORIZONTAL PC TAIL CONNECTOR**

DRAWING NUMBER:  
**G125-MH1XXM3-XXAD000P**

SHT  
3 OF 4

# Customer Information Sheet

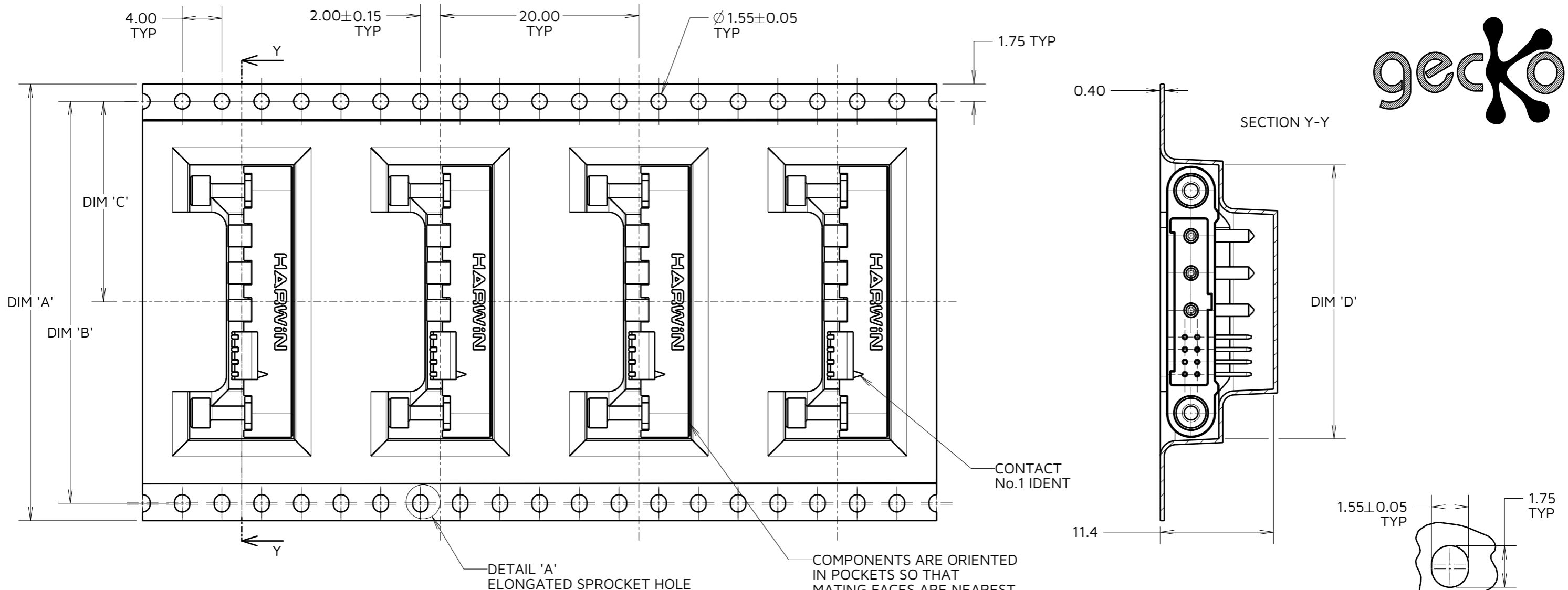
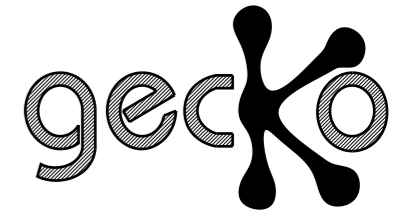
IF IN DOUBT - ASK



NOT TO SCALE

THIRD ANGLE PROJECTION

ALL DIMENSIONS IN mm



TAPE STRIP DETAILS ONLY,  
SEE SHEET 3 FOR CONNECTOR  
AND PCB LAYOUT DETAILS

NOTES:  
4. COMPONENTS ARE ORIENTED IN TAPE POCKETS AS SHOWN.  
5. COMPONENTS ARE SUPPLIED IN STRIPS OF TAPE. SUPPLIED QUANTITY MAY CONSIST OF MORE THAN ONE STRIP, STRIP LENGTH MAY VARY.

ORDER CODE:  
**G125-MH1XXM3-XXAD000P**

No. OF SIGNAL CONTACTS: \_\_\_\_\_ No. OF POWER CONTACTS: \_\_\_\_\_  
SEE TABLE 2 SEE TABLE 2

TABLE 2: AVAILABLE VARIANTS

ASSEMBLY PART No.	DIM 'A'	DIM 'B'	DIM 'C'	DIM 'D'	No. OF SIGNAL CONTACTS	No. OF POWER CONTACTS
G125-MH104M3-02AD000P	44.00	40.40	20.20	21.50	04	02
G125-MH108M3-03AD000P				27.60	08	03
G125-MH104M3-04AD000P				29.00	04	04
G125-MH124M3-02AD000P	56.00	52.40	26.20	34.00	24	02
G125-MH116M3-04AD000P				36.50	16	04
G125-MH108M3-06AD000P				39.00	08	06

AY	2	16.11.23	33301
NAME	ISS.	DATE	CN/CO
APPROVED: A.YEOMANS			
CHECKED: A.BOXALL			
DRAWN: R.PORTLOCK			
ASSEMBLY DRG:			



www.harwin.com

TOLERANCES  
X. = ±1mm  
X.X = ±0.50mm  
X.XX = ±0.20mm  
X.XXX = ±0.01mm  
ANGLES = ±5°  
UNLESS STATED

THIS DRAWING AND ANY INFORMATION OR DESCRIPTIVE MATTER SET OUT HEREON ARE CONFIDENTIAL AND COPYRIGHT PROPERTY OF THE HARWIN GROUP AND MUST NOT BE DISCLOSED, LOANED, COPIED OR USED FOR MANUFACTURING, TENDERING OR FOR ANY OTHER PURPOSE WITHOUT THEIR WRITTEN PERMISSION.

MATERIAL:  
  
SEE SHEET 3

TITLE:  
**GECKO MT SERIES MALE HORIZONTAL PC TAIL CONNECTOR**

DRAWING NUMBER:  
**G125-MH1XXM3-XXAD000P**

SHT  
4 OF 4