

Customer Information Sheet

DRAWING No.: S7191-45R

IF IN DOUBT - ASK

©

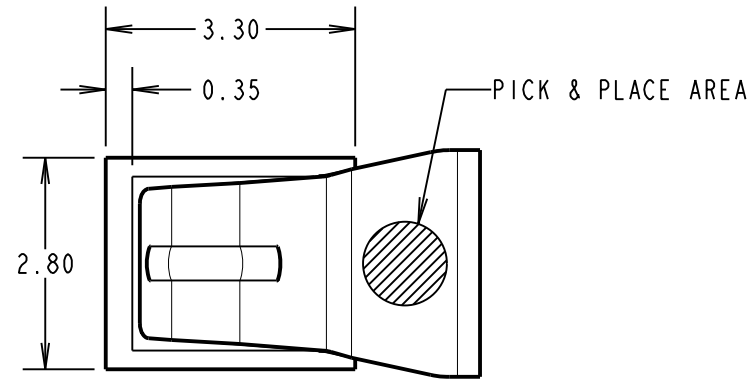
NOT TO SCALE

THIRD ANGLE PROJECTION

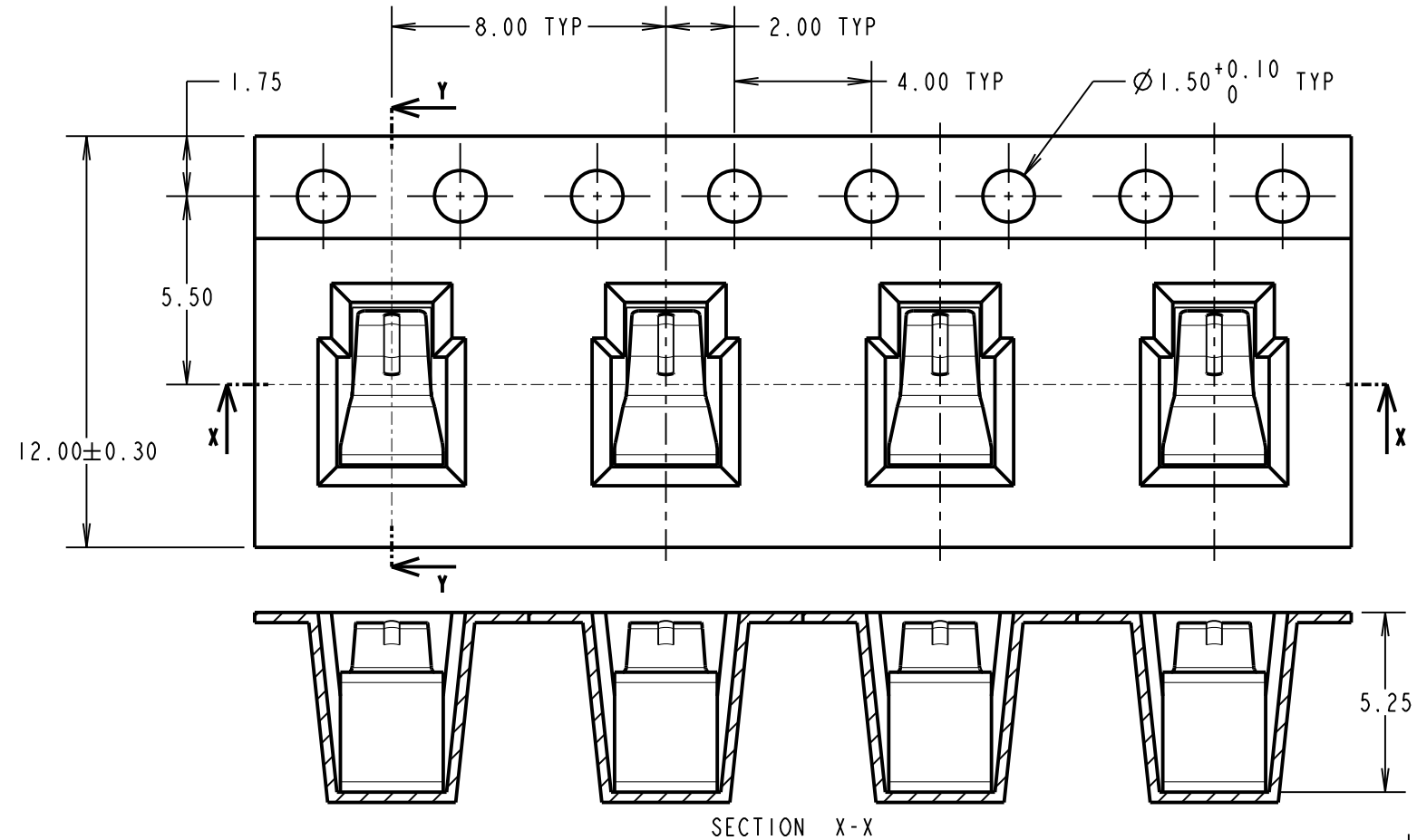
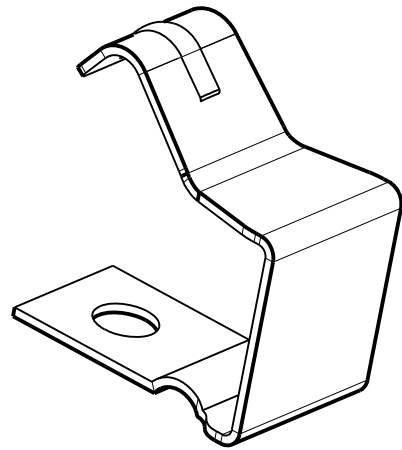
ALL DIMENSIONS IN mm

NOTES:

1. QUANTITY PER REEL = 1,500.
2. THIS PRODUCT IS TAPED AND REELED IN GENERAL ACCORDANCE WITH EIA-481-2 (ELECTRONICS INDUSTRIES ASSOCIATION).



RECOMMENDED PCB LAYOUT
(TOLERANCE = ±0.05)

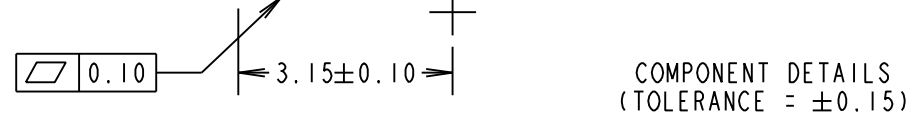
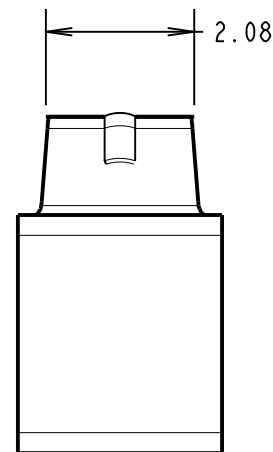
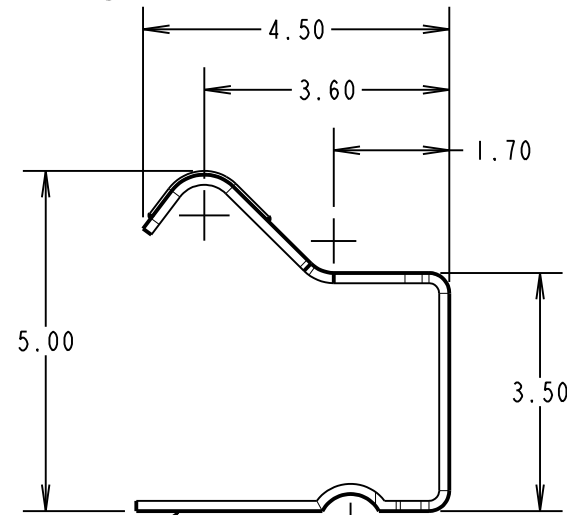


SECTION Y-Y

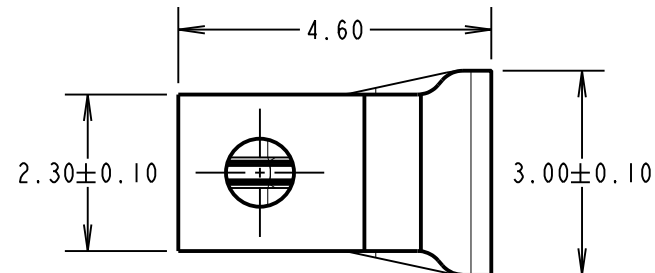
SECTION X-X

SPECIFICATION:

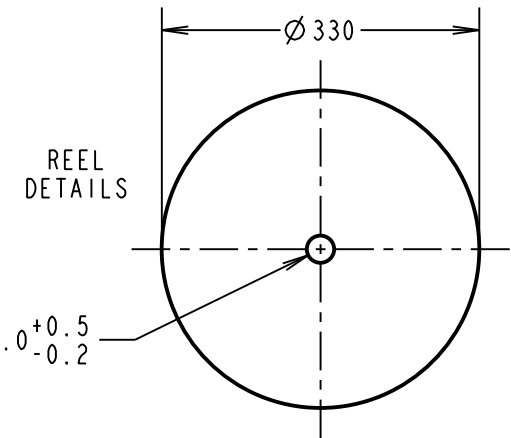
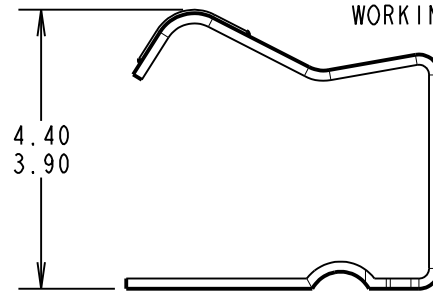
MATERIAL = PHOSPHOR BRONZE, 0.15mm THICK
 FINISH = GOLD FLASH OVER 1.25µm MIN NICKEL
ELECTRICAL:
 CONTACT RESISTANCE = 50mΩ MAX
 CURRENT RATING = 1A
MECHANICAL:
 DURABILITY = 10,000 CYCLES
 MINIMUM FORCE AT WORKING HEIGHT = 0.49N
ENVIRONMENTAL:
 OPERATING TEMPERATURE = -20°C TO +70°C



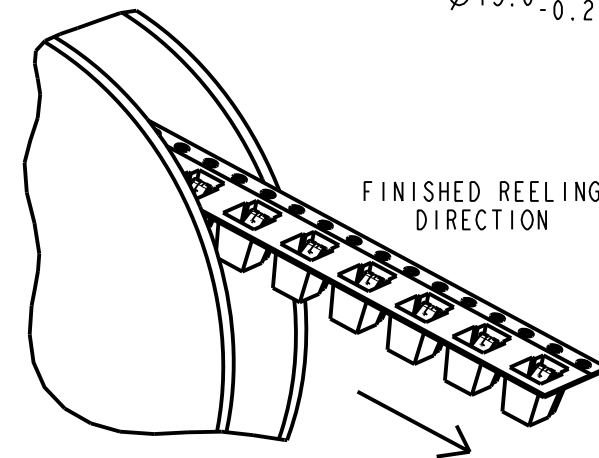
COMPONENT DETAILS
(TOLERANCE = ±0.15)



COMPONENT AT WORKING HEIGHT



REEL DETAILS



FINISHED REELING DIRECTION

| | | | |
|------------------|------|----------|--------|
| MGP | 4 | 09.04.20 | 21839 |
| NAME | ISS. | DATE | C/NOTE |
| APPROVED: MGP | | | |
| CHECKED: RA | | | |
| DRAWN: S.BENNETT | | | |
| CUSTOMER REF.: | | | |
| ASSEMBLY DRG: | | | |

| | | | | | |
|--|--|---|--|--|-------------------|
| <p>www.harwin.com technical@harwin.com</p> | <p>THIS DRAWING AND ANY INFORMATION OR DESCRIPTIVE MATTER SET OUT HEREON ARE CONFIDENTIAL AND COPYRIGHT PROPERTY OF THE HARWIN GROUP AND MUST NOT BE DISCLOSED, LOANED, COPIED OR USED FOR MANUFACTURING, TENDERING OR FOR ANY OTHER PURPOSE WITHOUT THEIR WRITTEN PERMISSION.</p> | <p>TOLERANCES</p> <p>X. = ±1mm X.X = ±0.50mm X.XX = ±0.20mm X.XXX = ±0.01mm</p> <p>ANGLES = ±5° UNLESS STATED</p> | <p>MATERIAL:</p> <p>SEE ABOVE</p> <p>FINISH: SEE ABOVE</p> <p>S/AREA: mm²</p> | <p>TITLE: SMT SPRING CONTACT (5.00mm HIGH) IN TAPE AND REEL</p> <p>DRAWING NUMBER: S7191-45R</p> | <p>SHT 2 OF 2</p> |
|--|--|---|--|--|-------------------|