

# Customer Information Sheet

DRAWING No.: G125-22496F3-01-08-01

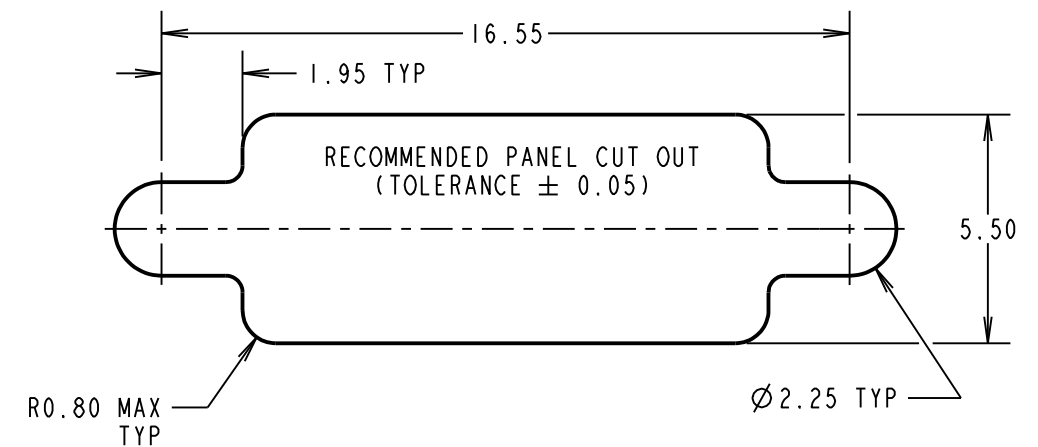
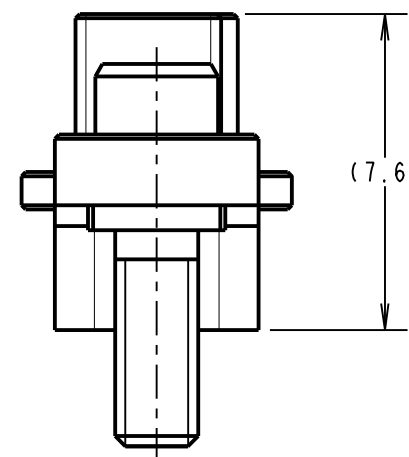
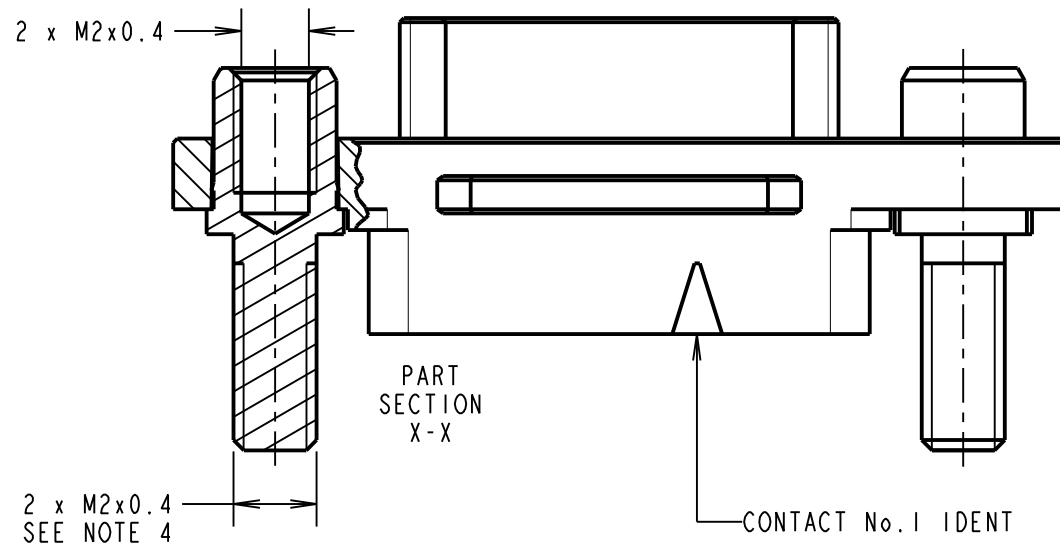
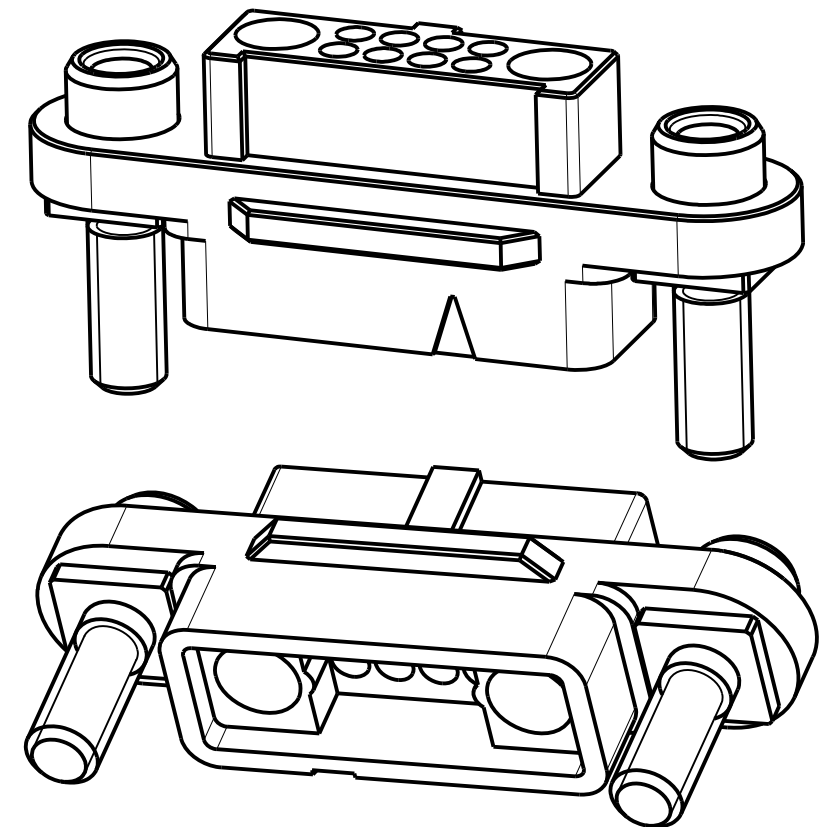
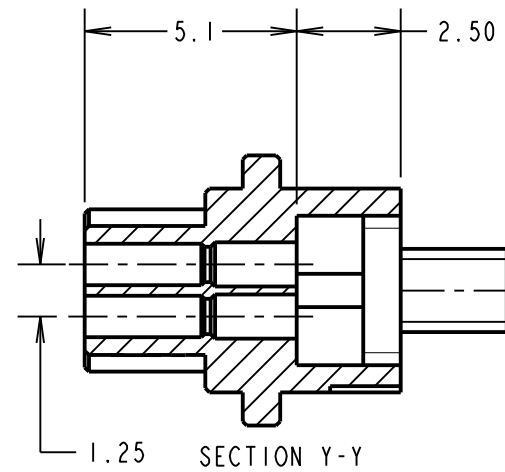
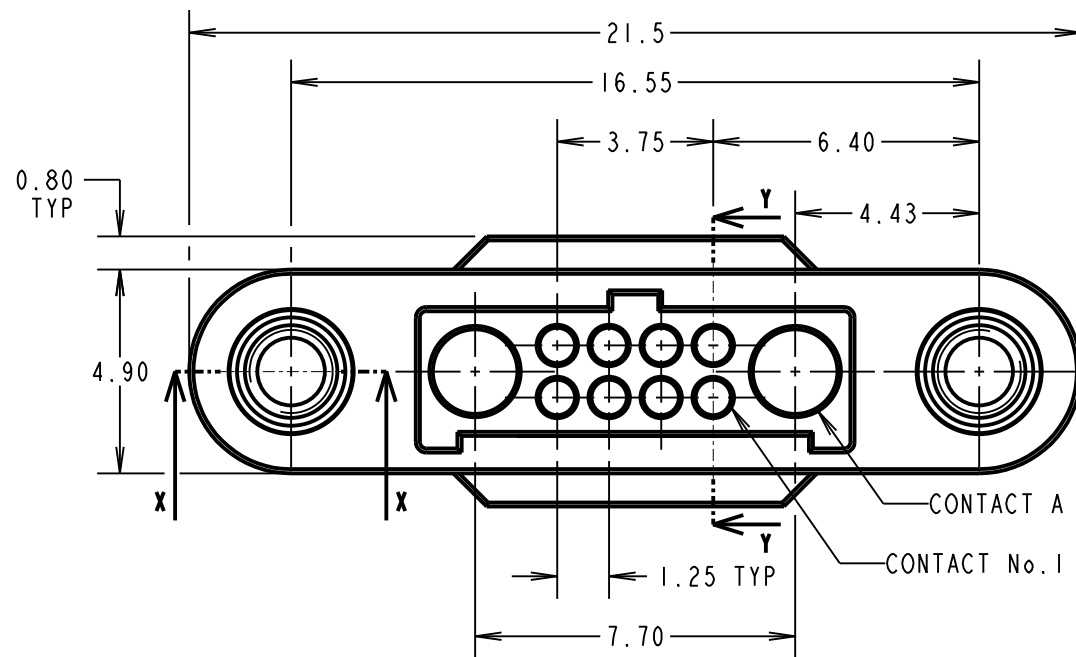
IF IN DOUBT - ASK

©

NOT TO SCALE

THIRD ANGLE PROJECTION

ALL DIMENSIONS IN mm



- NOTES:
1. MOULDING TO BE USED WITH G125-0010005 AND G125-0020005 FEMALE SIGNAL CONTACTS AND G125-0500005 FEMALE POWER CONTACT.
  2. FOR ASSEMBLY INSTRUCTIONS SEE INSTRUCTION SHEET IS-38.
  3. FOR MATERIALS, FINISH AND SPECIFICATION SEE GECKO SERIES SPECIFICATION SUMMARY SHEET OR COMPONENT SPECIFICATION C125XX (LATEST ISSUE) FOR FULL SPECIFICATION.
  4. FOR PANEL MOUNT NUTS ORDER SEPERATELY, PART NUMBER:  
G125-4510000B ROUND SLOTTED NUT - BAG OF 12.  
(G125-4500000B HEXAGONAL THIN NUT, IS NOT SUITABLE).



PATENTED TECHNOLOGY

RA	I	30.09.20	30220
NAME	ISS.	DATE	CN/CO
APPROVED: R.ALEXANDER			
CHECKED: R.PORTLOCK			
DRAWN: R.ALEXANDER			
CUSTOMER REF.:			
ASSEMBLY DRG:			

<p>www.harwin.com technical@harwin.com</p>	<p>THIS DRAWING AND ANY INFORMATION OR DESCRIPTIVE MATTER SET OUT HEREON ARE CONFIDENTIAL AND COPYRIGHT PROPERTY OF THE HARWIN GROUP AND MUST NOT BE DISCLOSED, LOANED, COPIED OR USED FOR MANUFACTURING, TENDERING OR FOR ANY OTHER PURPOSE WITHOUT THEIR WRITTEN PERMISSION.</p>	<p>TOLERANCES</p> <p>X. = ±1mm X.X = ±0.50mm X.XX = ±0.20mm X.XXX = ±0.01mm</p> <p>ANGLES = ±5° UNLESS STATED</p>	<p>MATERIAL:</p> <p>SEE ABOVE</p>	<p>TITLE: G125 MT SERIES FEMALE CABLE MOULDING WITH REVERSE FIX PANEL MOUNT</p>
		<p>FINISH: SEE ABOVE</p> <p>S/AREA: mm<sup>2</sup></p>	<p>DRAWING NUMBER:</p> <p><b>G125-22496F3-01-08-01</b></p>	<p>SHT</p> <p>2 OF 2</p>