

# Customer Information Sheet

DRAWING No.: M80-905XX02

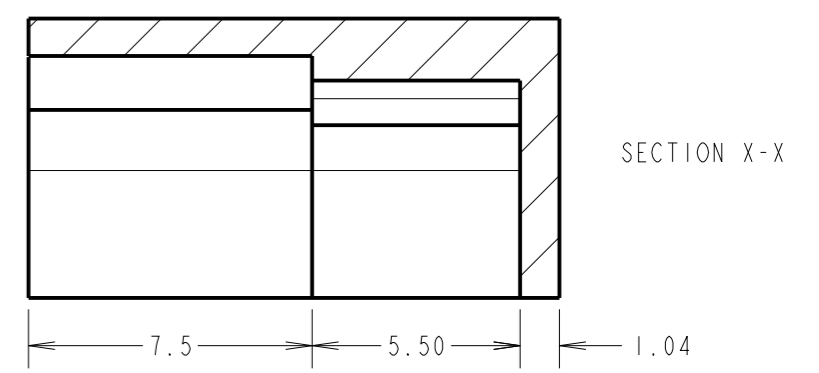
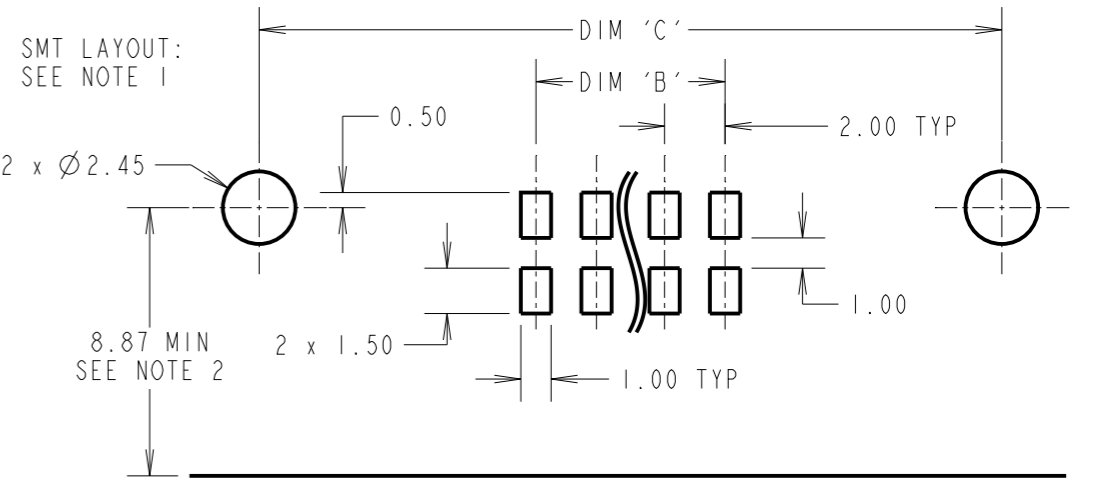
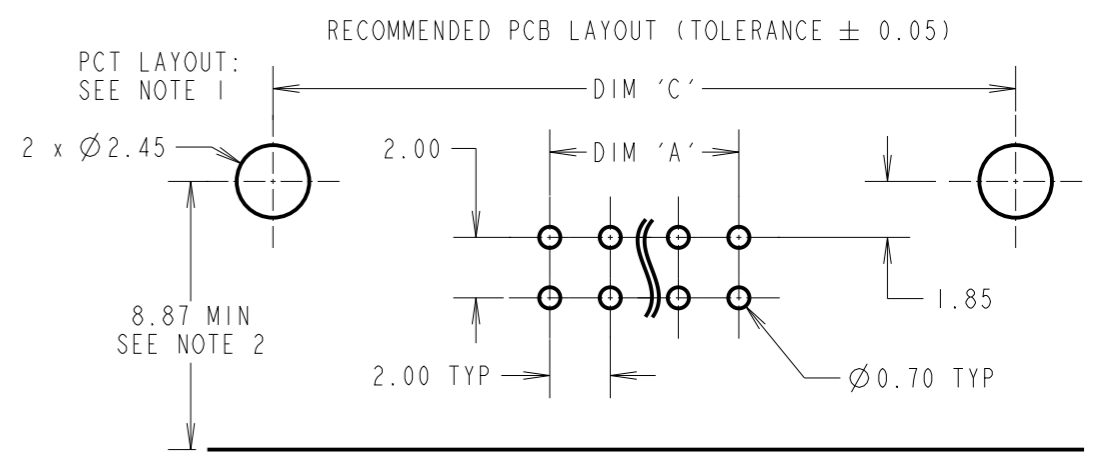
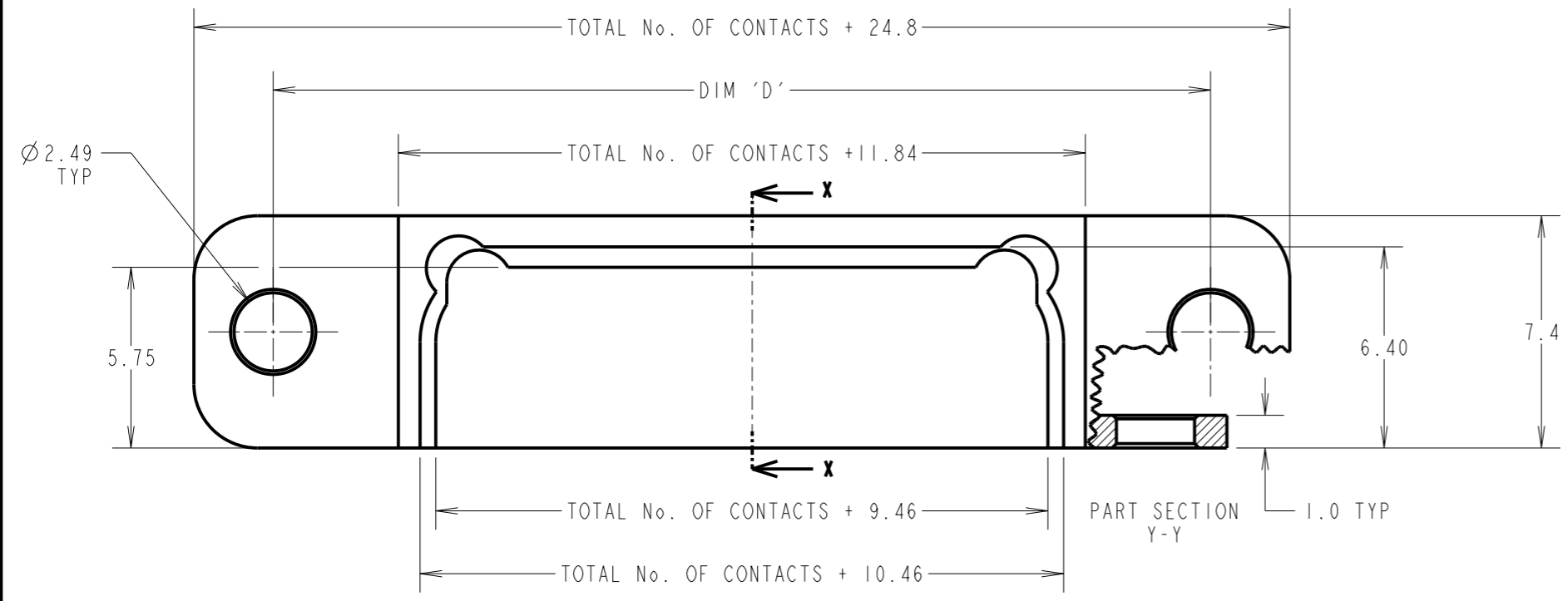
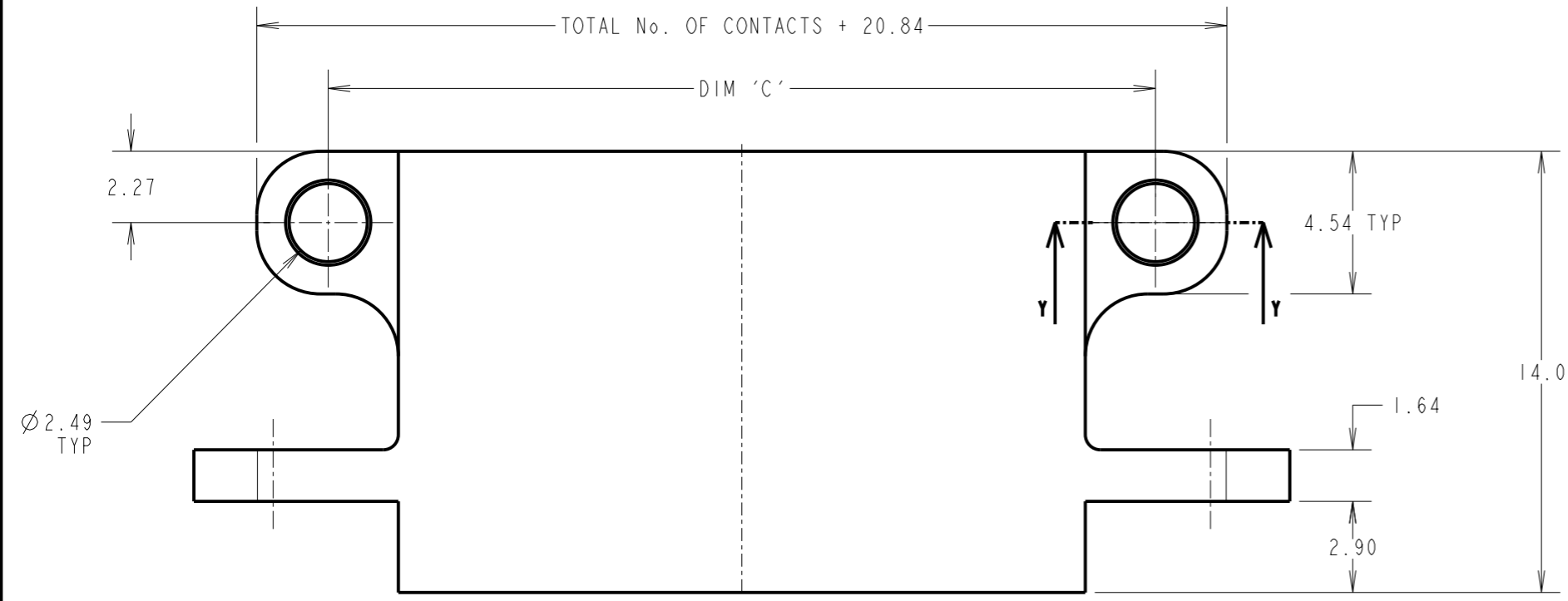
IF IN DOUBT - ASK

©

NOT TO SCALE

THIRD ANGLE PROJECTION

ALL DIMENSIONS IN mm



- NOTES:
- ALL PCB LAYOUTS DRAWN WITH MATING FACE BELOW PINS/PADS. LAYOUTS ONLY FOR BACKSHELL MOUNTING, FOR CONNECTOR PCB LAYOUT SEE COMPONENT DRAWING.
  - NOMINAL DISTANCE BETWEEN FRONT OF PANEL TABS AND PCB MOUNTING POINT.

| DIMENSION | CALCULATION                  |
|-----------|------------------------------|
| DIM 'A'   | TOTAL No. OF CONTACTS - 2    |
| DIM 'B'   | TOTAL No. OF CONTACTS - 2    |
| DIM 'C'   | TOTAL No. OF CONTACTS + 16.3 |
| DIM 'D'   | TOTAL No. OF CONTACTS + 19.8 |

ORDER CODE:  
**M80-905XX02**  
 TOTAL No. OF CONTACTS  
 04 - 50  
 EVEN NUMBERS ONLY

|                       |      |          |       |
|-----------------------|------|----------|-------|
| RA                    | 3    | 08.02.22 | 31335 |
| NAME                  | ISS. | DATE     | CN/CO |
| APPROVED: R.ALEXANDER |      |          |       |
| CHECKED: R.PORTLOCK   |      |          |       |
| DRAWN: R.ALEXANDER    |      |          |       |
| CUSTOMER REF.:        |      |          |       |
| ASSEMBLY DRG:         |      |          |       |

SPECIFICATIONS:  
 MATERIAL = ALUMINIUM ALLOY  
 FINISH = ELECTROLESS NICKEL  
 ENVIRONMENTAL:  
 TEMPERATURE RANGE = -55°C TO +125°C



THIS DRAWING AND ANY INFORMATION OR DESCRIPTIVE MATTER SET OUT HEREON ARE CONFIDENTIAL AND COPYRIGHT PROPERTY OF THE HARWIN GROUP AND MUST NOT BE DISCLOSED, LOANED, COPIED OR USED FOR MANUFACTURING, TENDERING OR FOR ANY OTHER PURPOSE WITHOUT THEIR WRITTEN PERMISSION.

TOLERANCES  
 X. = ±1mm  
 X.X = ±0.50mm  
 X.XX = ±0.20mm  
 X.XXX = ±0.01mm  
 ANGLES = ±5°  
 UNLESS STATED

MATERIAL:  
 SEE ABOVE  
 FINISH: SEE ABOVE  
 S/AREA: mm<sup>2</sup>

TITLE: DATAMATE J-TEK MALE HORIZONTAL SMT REVERSE PANEL MOUNT BACKSHELL  
 DRAWING NUMBER:  
**M80-905XX02**  
 SHT 5 OF 6

# Customer Information Sheet

DRAWING No.: M80-905XX02

IF IN DOUBT - ASK

©

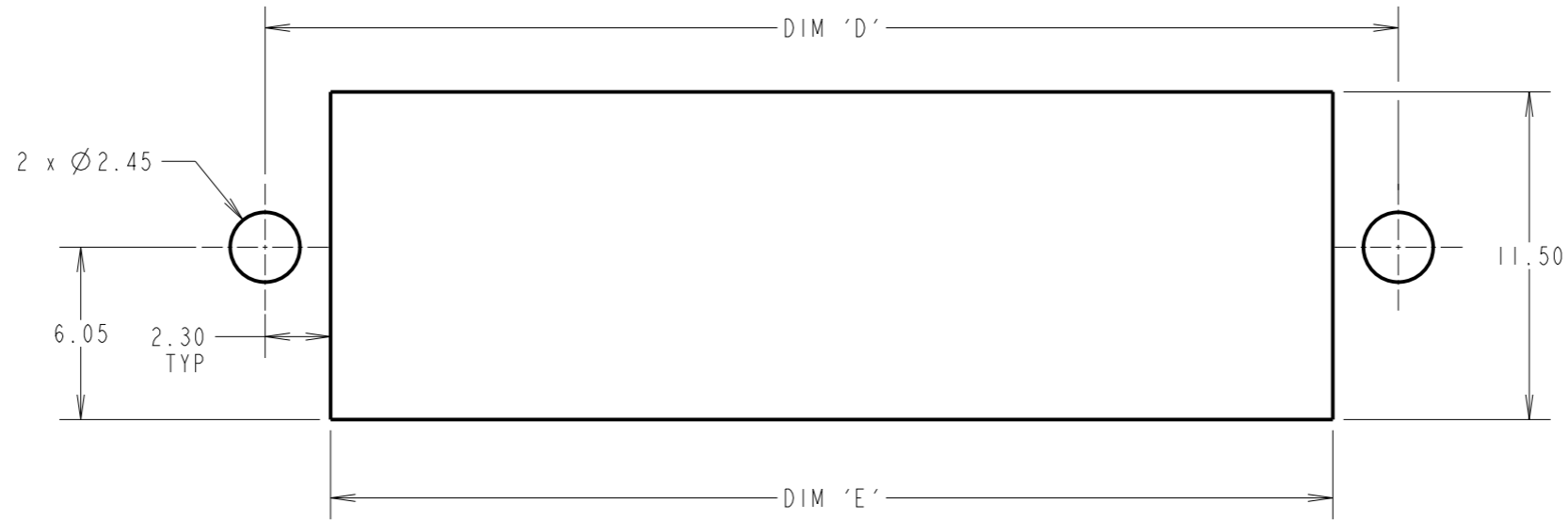
NOT TO SCALE

THIRD ANGLE PROJECTION

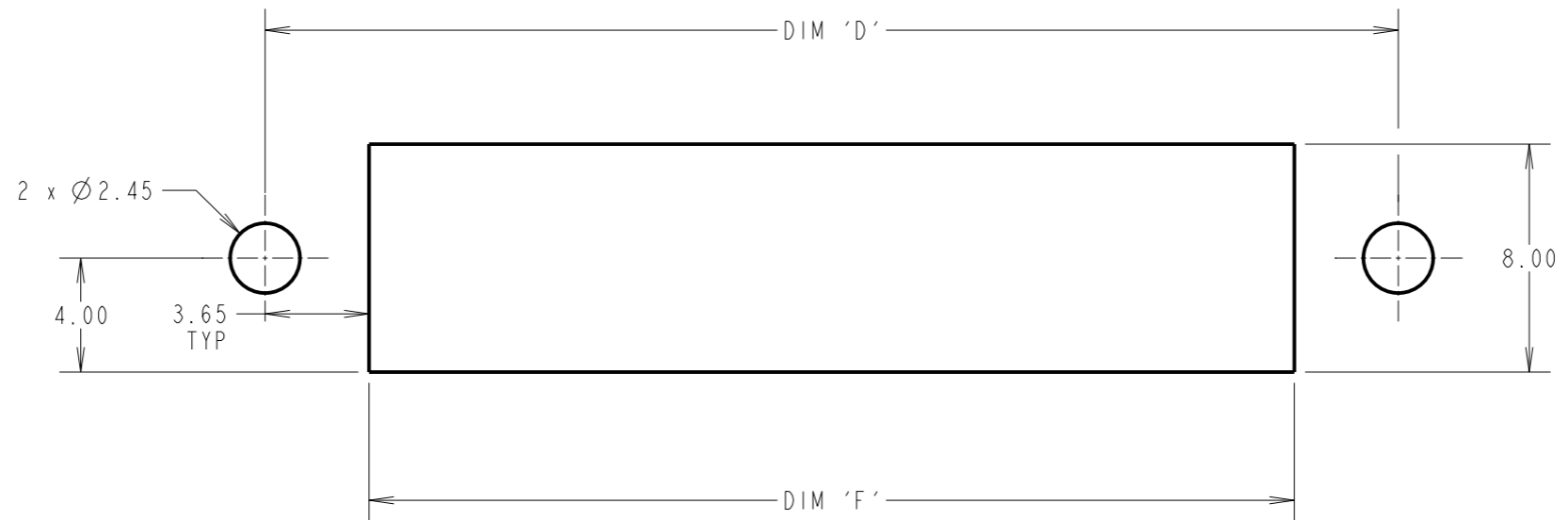
ALL DIMENSIONS IN mm

RECOMMENDED PANEL CUTOUT (TOLERANCE  $\pm 0.05$ )

FOR USE WITH SHIELDED CABLE:  
SEE NOTES 5 & 6



FOR USE WITH UNSHIELDED CABLE:  
SEE NOTES 5 & 6



| DIMENSION | CALCULATION                  |
|-----------|------------------------------|
| DIM 'D'   | TOTAL No. OF CONTACTS + 19.8 |
| DIM 'E'   | TOTAL No. OF CONTACTS + 15.2 |
| DIM 'F'   | TOTAL No. OF CONTACTS + 12.5 |

ORDER CODE:  
**M80-905XX02**  
TOTAL No. OF CONTACTS \_\_\_\_\_  
04 - 50  
EVEN NUMBERS ONLY

|                       |      |          |       |
|-----------------------|------|----------|-------|
| RA                    | 3    | 08.02.22 | 31335 |
| NAME                  | ISS. | DATE     | CN/CO |
| APPROVED: R.ALEXANDER |      |          |       |
| CHECKED: R.PORTLOCK   |      |          |       |
| DRAWN: R.ALEXANDER    |      |          |       |
| CUSTOMER REF.:        |      |          |       |
| ASSEMBLY DRG:         |      |          |       |

- NOTES CONT'D:  
5. ALL PANEL LAYOUTS ARE VIEWED FROM THE FRONT OF THE CONNECTOR WITH THE SHIELD MOUNTED ON TOP.  
6. PANELS MAY BE OF ANY THICKNESS WHEN USING THE LAYOUTS ABOVE.

**HARWIN**

www.harwin.com  
technical@harwin.com

THIS DRAWING AND ANY INFORMATION OR DESCRIPTIVE MATTER SET OUT HEREON ARE CONFIDENTIAL AND COPYRIGHT PROPERTY OF THE HARWIN GROUP AND MUST NOT BE DISCLOSED, LOANED, COPIED OR USED FOR MANUFACTURING, TENDERING OR FOR ANY OTHER PURPOSE WITHOUT THEIR WRITTEN PERMISSION.

TOLERANCES  
X. =  $\pm 1$ mm  
X.X =  $\pm 0.50$ mm  
X.XX =  $\pm 0.20$ mm  
X.XXX =  $\pm 0.01$ mm  
ANGLES =  $\pm 5^\circ$   
UNLESS STATED

MATERIAL:  
SEE ABOVE  
FINISH: SEE ABOVE  
S/AREA: mm<sup>2</sup>

TITLE: DATAMATE J-TEK MALE HORIZONTAL SMT REVERSE PANEL MOUNT BACKSHELL

DRAWING NUMBER:  
**M80-905XX02**

SHT  
6 OF 6