

Customer Information Sheet

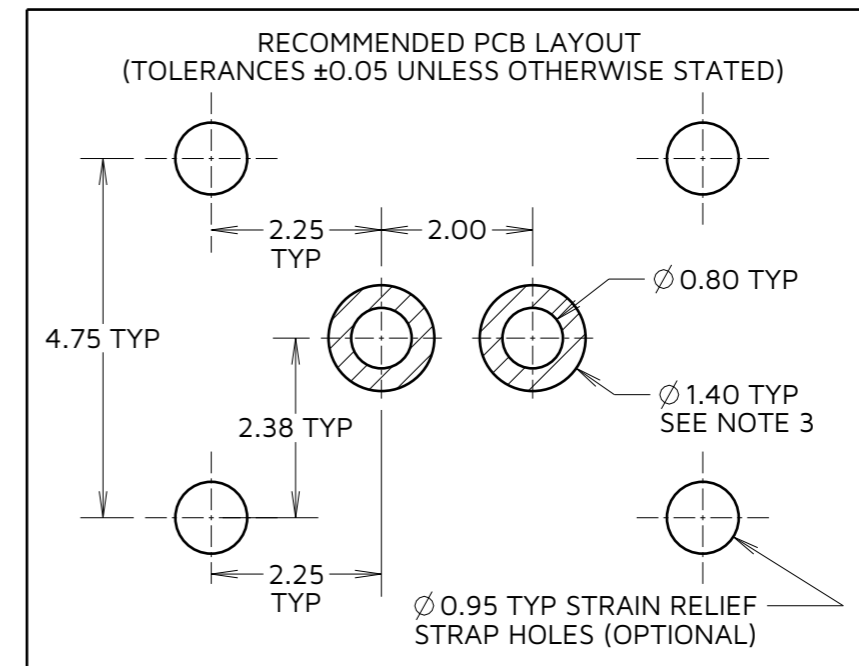
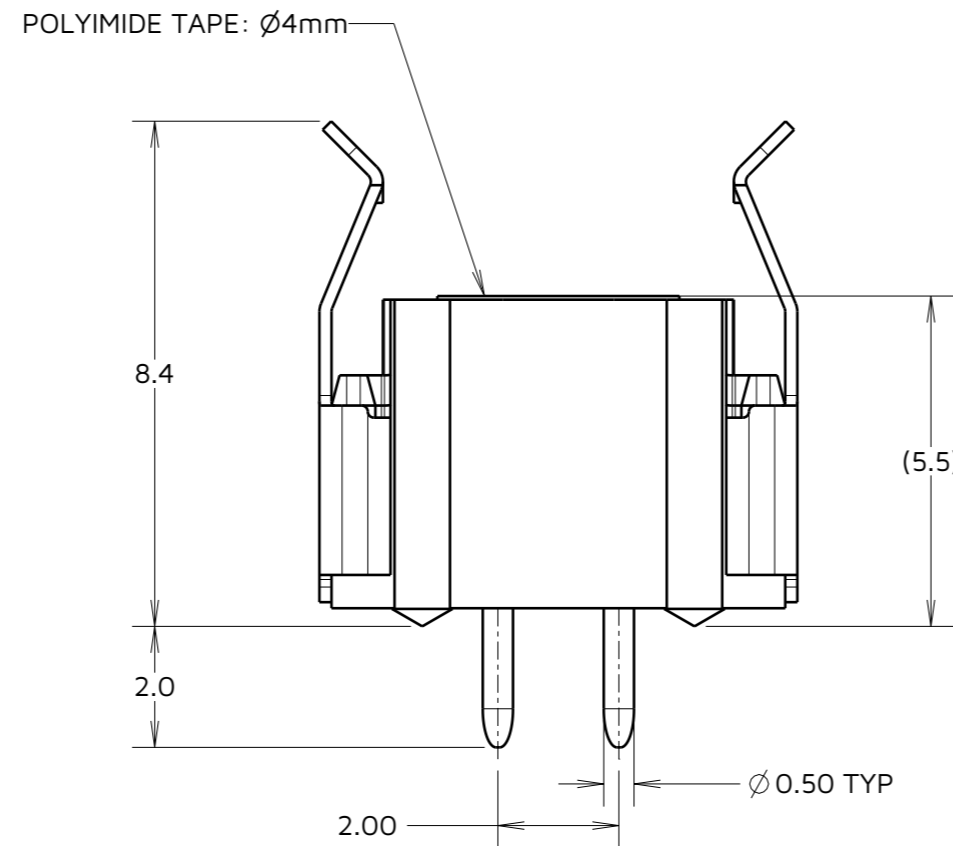
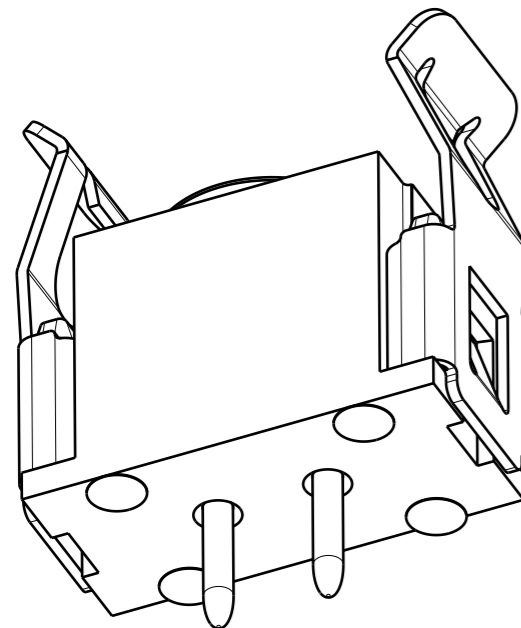
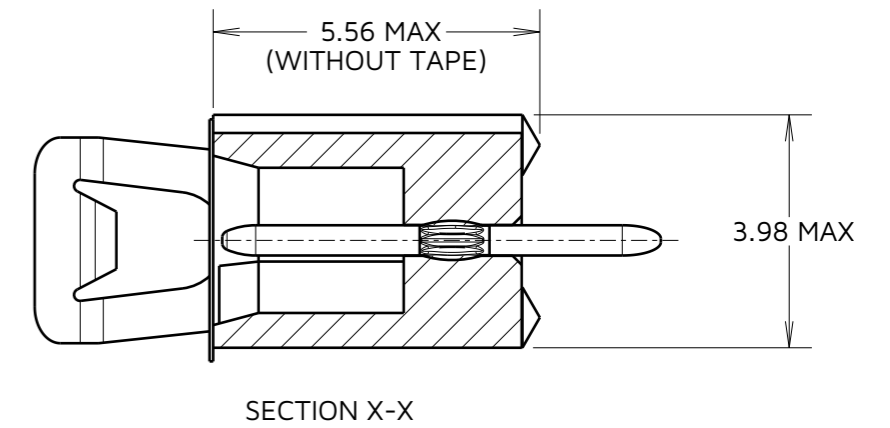
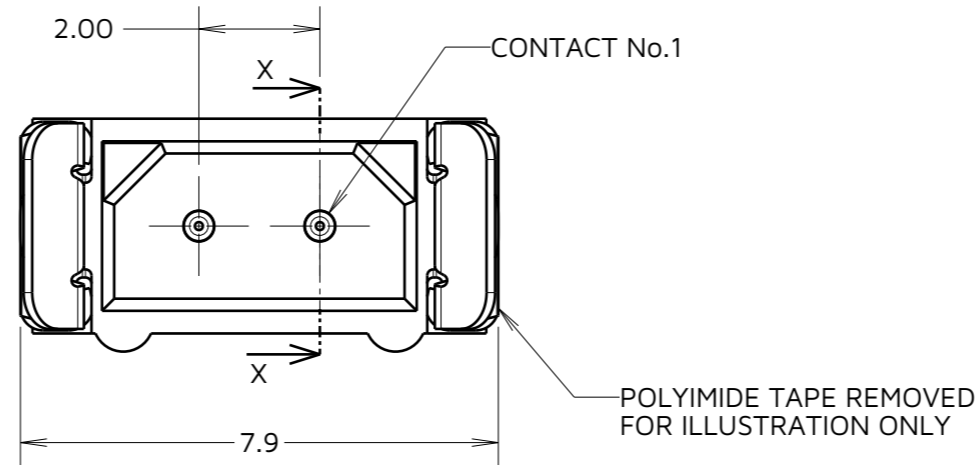
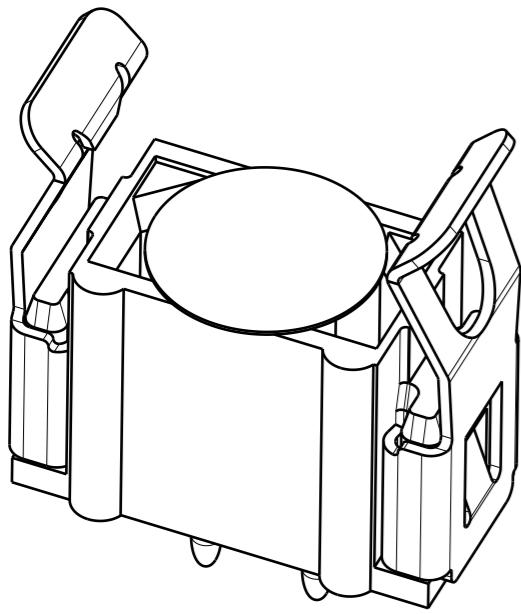
IF IN DOUBT - ASK

©

NOT TO SCALE

THIRD ANGLE PROJECTION

ALL DIMENSIONS IN mm



NOTES:

1. SPECIFICATIONS:

MATERIAL:

HOUSING = GLASS-FILLED PPS UL94V-0, BLACK

CONTACTS = PHOSPHOR BRONZE

LATCHES = BERYLLIUM COPPER

FINISH:

CONTACTS = 0.75µm GOLD ON CONTACT AREA.

3.0µm 100% TIN OVER NICKEL ON TAILS.

LATCH = 1.25µm NICKEL

FOR MECHANICAL/ELECTRICAL REQUIREMENTS, SEE COMPONENT SPECIFICATION CO05XX (LATEST ISSUE).

**2. FOR STRAIN RELIEF STRAPS, ORDER SEPARATELY
PART NUMBER: M80-0030006.**

3. FOR PIN IN HOLE REFLOW, ANNULAR RINGS OF Ø1.4mm ARE RECOMMENDED TOP AND BOTTOM.

4. SEE SHEET 4 FOR TAPE & REEL DETAILS.

AB	1	24.04.24	33972
NAME	ISS.	DATE	CN/CO
APPROVED:		A.YEOMANS	
CHECKED:		R.PORTLOCK	
DRAWN:		A.BOXALL	
ASSEMBLY DRG:			

HARWIN

www.harwin.com

TOLERANCES
 X. = ±1mm
 X.X = ±0.50mm
 X.XX = ±0.20mm
 X.XXX = ±0.01mm
 ANGLES = ±5°
 UNLESS STATED

THIS DRAWING AND ANY INFORMATION OR DESCRIPTIVE MATTER SET OUT HEREON ARE CONFIDENTIAL AND COPYRIGHT PROPERTY OF THE HARWIN GROUP AND MUST NOT BE DISCLOSED, LOANED, COPIED OR USED FOR MANUFACTURING, TENDERING OR FOR ANY OTHER PURPOSE WITHOUT THEIR WRITTEN PERMISSION.

MATERIAL:

SEE NOTE 1

**TITLE: DATAMATE SIL VERTICAL
2mm PC TAIL PLUG ASSEMBLY
- LATCHED TAPE & REEL**

**DRAWING NUMBER:
M80-7730242R**

SHT
3 OF 4

Customer Information Sheet

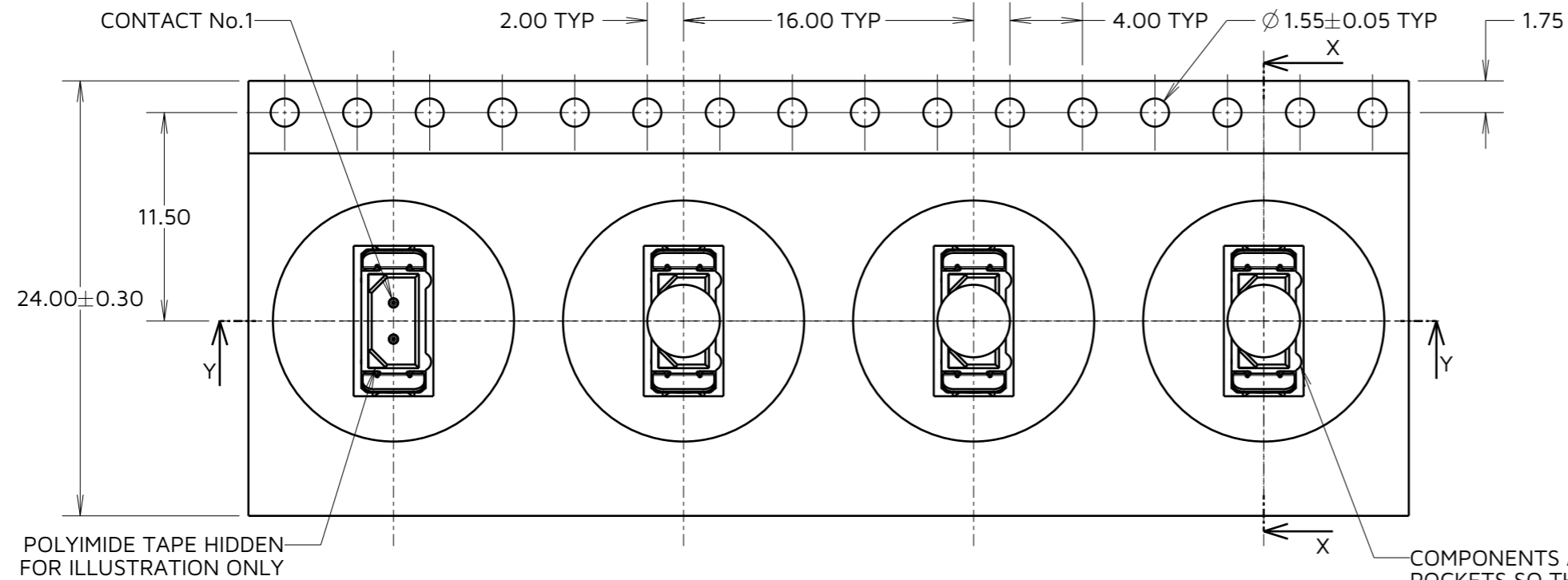
IF IN DOUBT - ASK

©

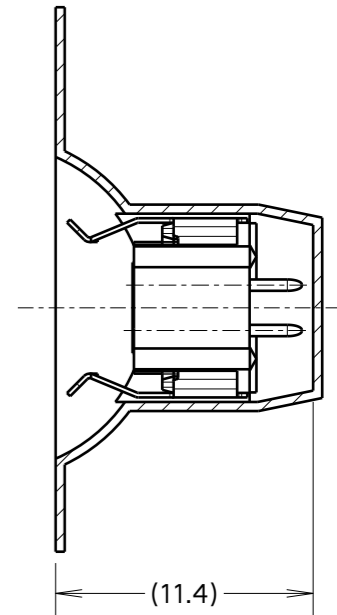
NOT TO SCALE

THIRD ANGLE PROJECTION

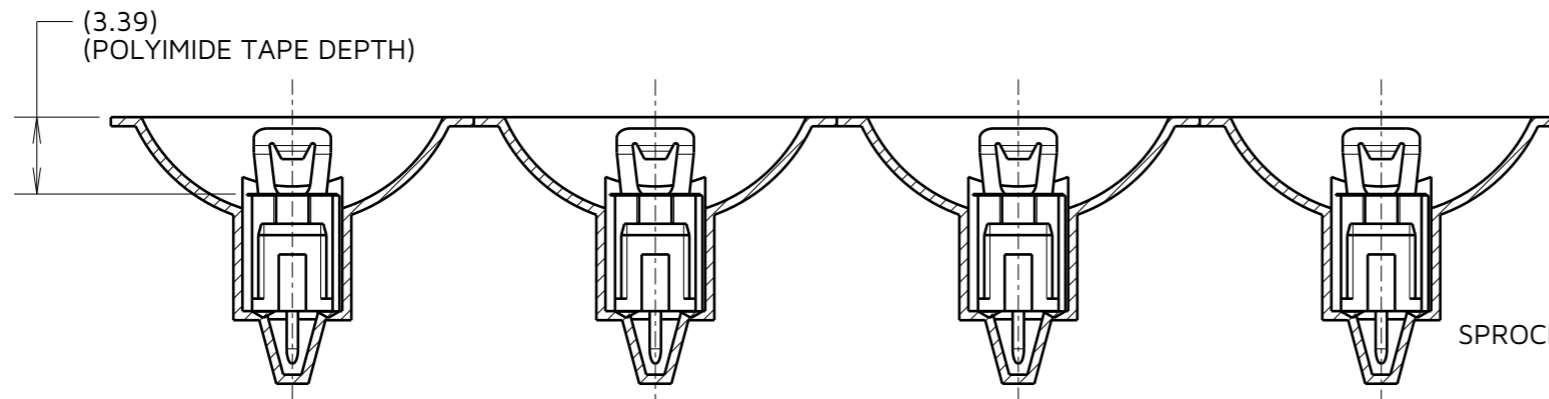
ALL DIMENSIONS IN mm



COMPONENTS ARE ORIENTED IN TAPE POCKETS SO THAT THE POLARISING FEATURES ARE NEAREST FREE END.



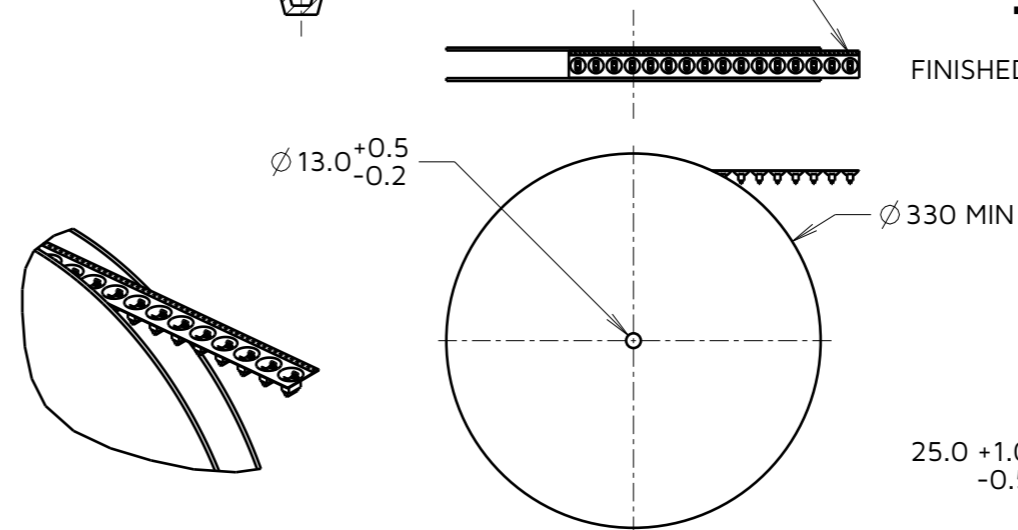
SECTION X-X



SECTION Y-Y

SPROCKET HOLES THIS SIDE

FINISHED REELING DIRECTION



- NOTES:
 5. QUANTITY OF PARTS PER REEL: 330PCS
 6. THIS PRODUCT IS TAPED AND REELED IN ACCORDANCE WITH EIA-481 STANDARD.
 7. TAPE DETAILS ONLY, SEE SHEET 3 FOR CONNECTOR AND PCB LAYOUT DETAILS.

HARWIN

www.harwin.com

TOLERANCES
 X. = ±1mm
 X.X = ±0.50mm
 X.XX = ±0.20mm
 X.XXX = ±0.01mm
 ANGLES = ±5°
 UNLESS STATED

THIS DRAWING AND ANY INFORMATION OR DESCRIPTIVE MATTER SET OUT HEREON ARE CONFIDENTIAL AND COPYRIGHT PROPERTY OF THE HARWIN GROUP AND MUST NOT BE DISCLOSED, LOANED, COPIED OR USED FOR MANUFACTURING, TENDERING OR FOR ANY OTHER PURPOSE WITHOUT THEIR WRITTEN PERMISSION.

MATERIAL:
 SEE SHEET 3

TITLE: DATAMATE SIL VERTICAL
 2mm PC TAIL PLUG ASSEMBLY
 - LATCHED TAPE & REEL

DRAWING NUMBER:
M80-7730242R

AB	1	24.04.24	33972
NAME	ISS.	DATE	CN/CO
APPROVED: A.YEOMANS			
CHECKED: R.PORTLOCK			
DRAWN: A.BOXALL			
ASSEMBLY DRG:			