

Customer Information Sheet

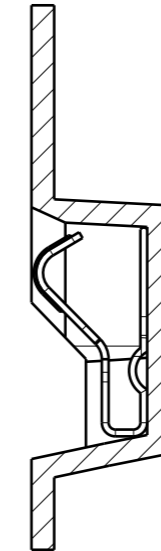
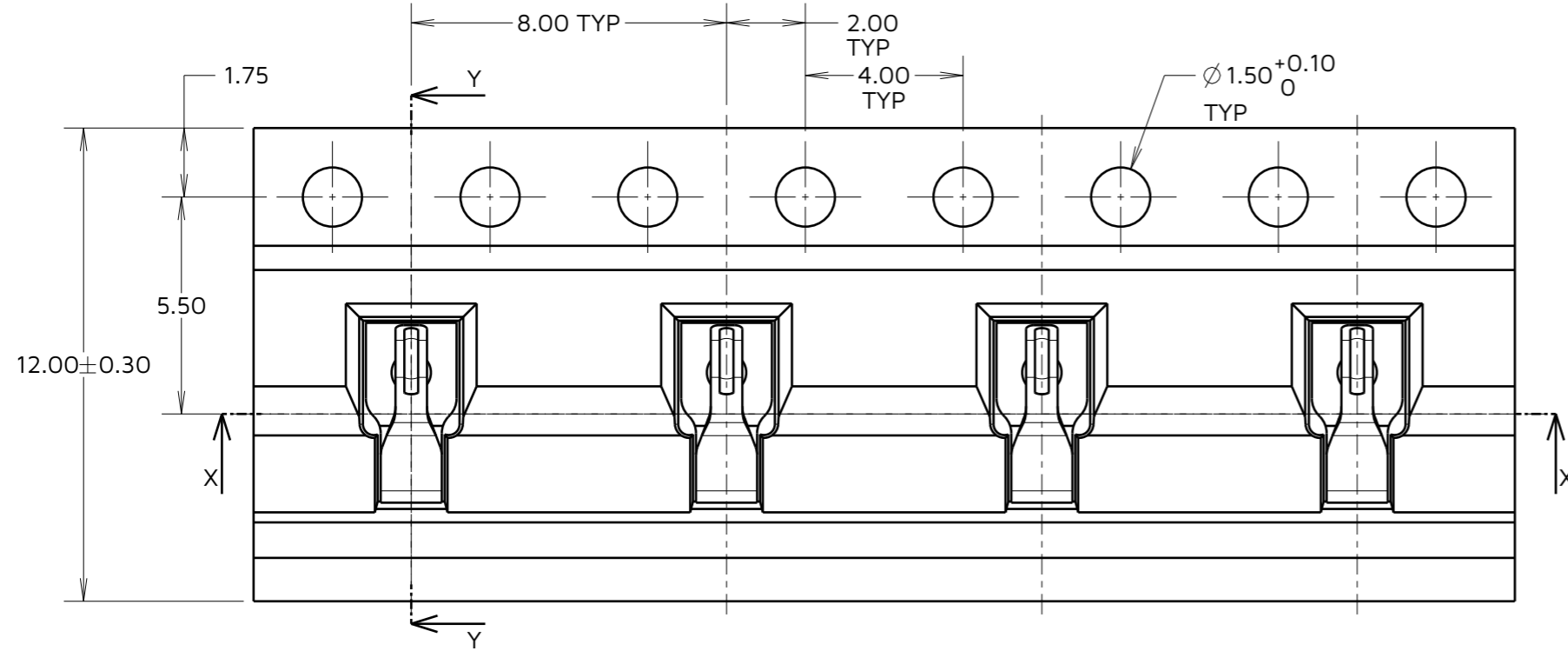
IF IN DOUBT - ASK

©

NOT TO SCALE

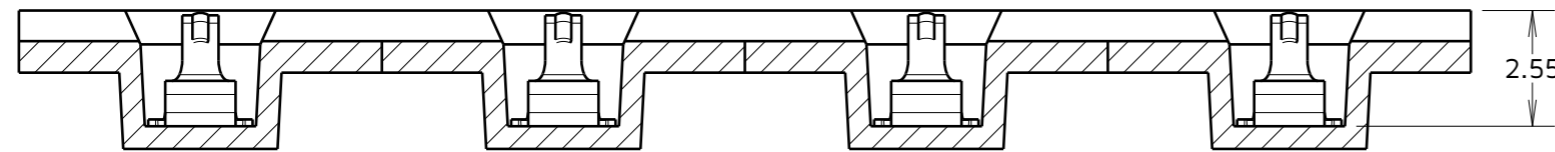
THIRD ANGLE PROJECTION

ALL DIMENSIONS IN mm



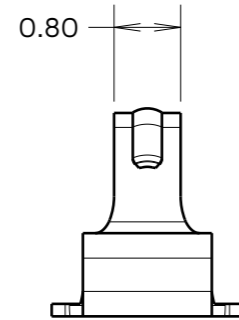
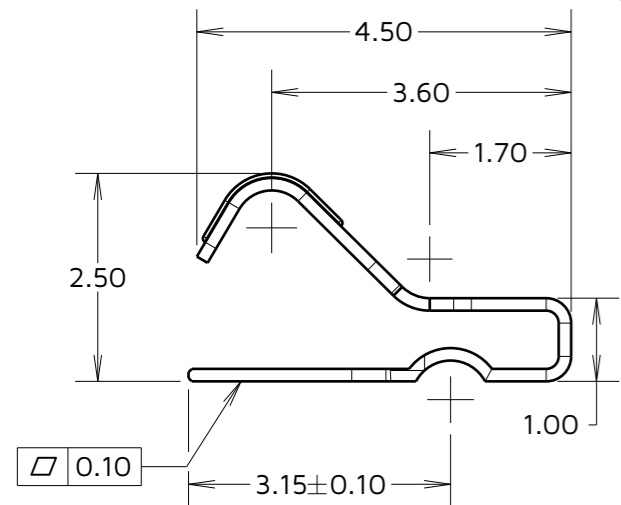
SECTION Y-Y

SPECIFICATION:
 MATERIAL = PHOSPHOR BRONZE, 0.15mm THICK
 FINISH = GOLD FLASH OVER 1.25µm MIN NICKEL
ELECTRICAL:
 CONTACT RESISTANCE = 50mΩ MAX
 CURRENT RATING = 1A
MECHANICAL:
 DURABILITY = 10,000 CYCLES
 MINIMUM FORCE AT WORKING HEIGHT = 0.49N
ENVIRONMENTAL:
 OPERATING TEMPERATURE = -20°C TO +70°C

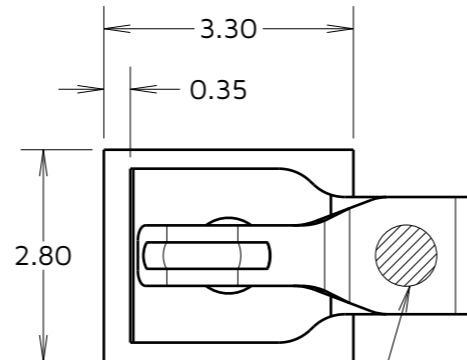


SECTION X-X

COMPONENT DETAILS
(TOLERANCE = ±0.15)

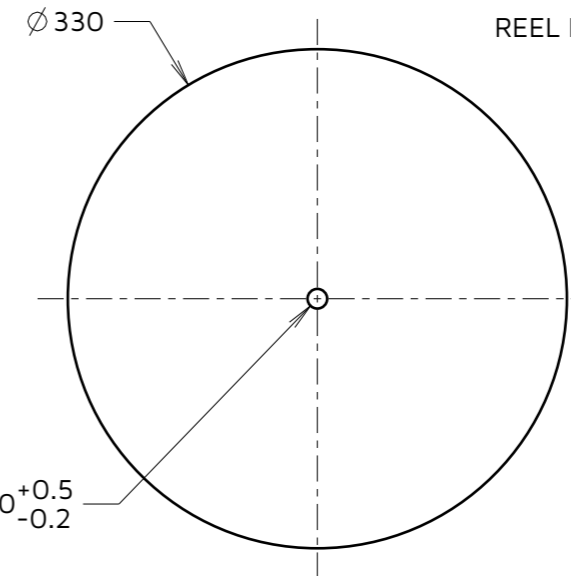
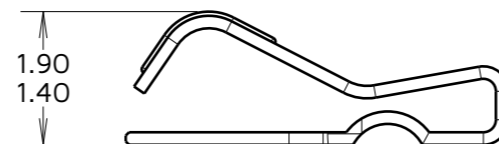


RECOMMENDED PCB LAYOUT
(TOLERANCE = ±0.05)

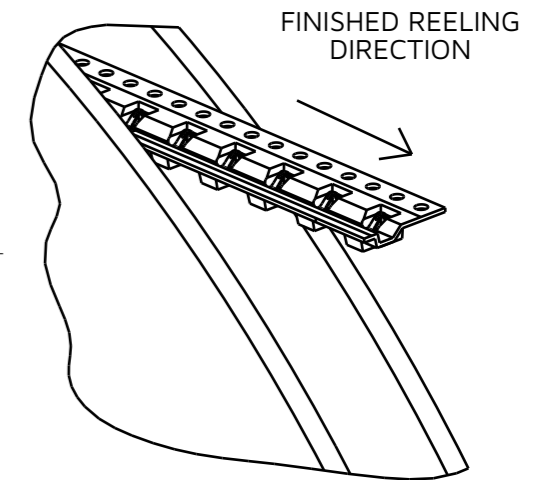


PICK & PLACE AREA

COMPONENT AT WORKING HEIGHT



REEL DETAILS

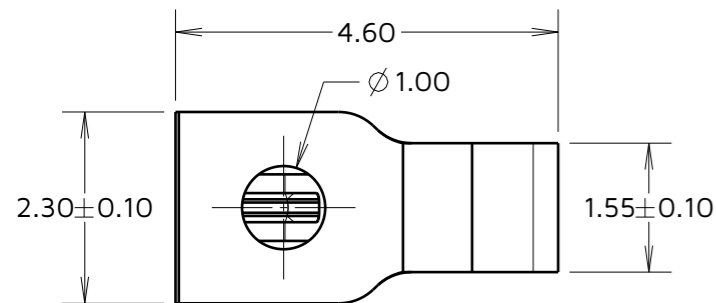


FINISHED REELING DIRECTION

NOTES:

1. QUANTITY PER REEL = 2,500.
2. THIS PRODUCT IS TAPED AND REELED IN GENERAL ACCORDANCE WITH EIA-481-2 (ELECTRONICS INDUSTRIES ASSOCIATION).

AY	5	01.05.24	34009
NAME	ISS.	DATE	CN/CO
APPROVED:		A.YEOMANS	
CHECKED:		A.BOXALL	
DRAWN:		M.CODLING	
ASSEMBLY DRG:			



HARWIN

www.harwin.com

TOLERANCES
 X. = ±1mm
 X.X = ±0.50mm
 X.XX = ±0.20mm
 X.XXX = ±0.01mm
 ANGLES = ±5°
 UNLESS STATED

THIS DRAWING AND ANY INFORMATION OR DESCRIPTIVE MATTER SET OUT HEREON ARE CONFIDENTIAL AND COPYRIGHT PROPERTY OF THE HARWIN GROUP AND MUST NOT BE DISCLOSED, LOANED, COPIED OR USED FOR MANUFACTURING, TENDERING OR FOR ANY OTHER PURPOSE WITHOUT THEIR WRITTEN PERMISSION.

MATERIAL:
 SEE ABOVE

TITLE: SMT SPRING CONTACT
(2.50mm HIGH)
IN TAPE AND REEL

DRAWING NUMBER:
S7141-45R

SHT
2 OF 2