

Customer Information Sheet

DRAWING No.: C90-3106FXXSX-XX

IF IN DOUBT - ASK

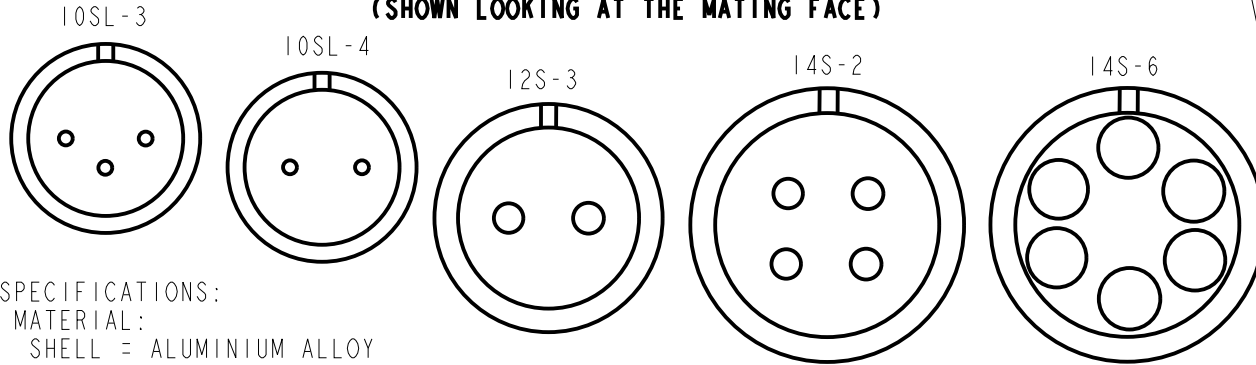
©

NOT TO SCALE

THIRD ANGLE PROJECTION

ALL DIMENSIONS IN mm

CONTACT LAYOUT (SHOWN LOOKING AT THE MATING FACE)

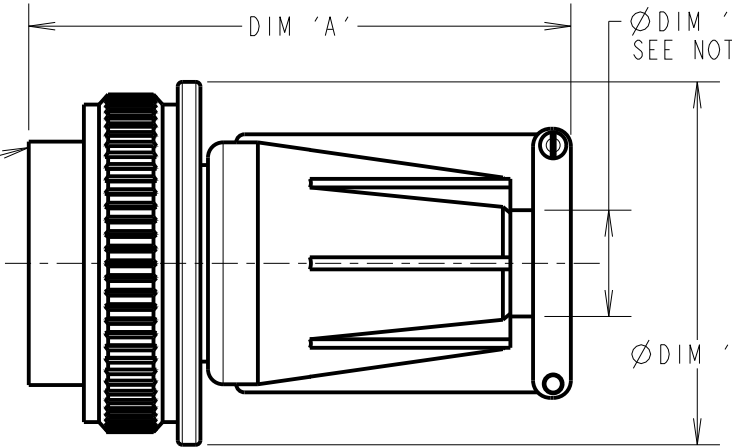


'C' THREAD

DIM 'A'

Ø DIM 'D' SEE NOTE 4

Ø DIM 'B'



SPECIFICATIONS:

MATERIAL:

SHELL = ALUMINIUM ALLOY
 INSULATOR = SYNTHETIC RUBBER
 GROMMET = SYNTHETIC RUBBER
 CONTACT = COPPER ALLOY

FINISH:

SHELL = ZINC COBALT ALLOY, BLACK
 CONTACT = SILVER

ENVIRONMENTAL:

OPERATING TEMPERATURE = -55°C TO +125°C

MECHANICAL:

VIBRATION SENSITIVITY = 10Hz TO 500Hz, 98m/s² (10G)
 SHOCK SEVERITY = 490m/s² (50G) FOR 11ms
 WATER RESISTANCE (SEALING) = 1.8m FOR 48HRS, EXCEEDS IP67

ELECTRICAL:

CURRENT RATING = 13A
 VOLTAGE RATING:
 10SL, 12S SHELL SIZES = 500V AC, 700V DC
 14S SHELL SIZE = 200V AC, 250V DC
 VOLTAGE PROOF:
 10SL & 12S SHELL SIZES = 2,000V AC
 14S SHELL SIZES = 1,000V AC
 INSULATION RESISTANCE = 5,000MΩ MIN

FOR MECHANICAL/ELECTRICAL REQUIREMENTS, SEE COMPONENT SPECIFICATION CO45XX (LATEST ISSUE)

ORDER CODE:

C90-3106FXXXX-XX

SHELL SIZE (CONTACT LAYOUT):
 10SL-3, 10SL-4, 12S-3, 14S-2
 14S-6

CONTACT GENDER:

P - MALE
 S - FEMALE

NOTES:

1. PRODUCT IS RoHS COMPLIANT.
2. PRODUCT IS PACKED IN BAGS.
3. RECOMMENDED WIRE SIZE 16-22 AWG.
4. CABLE CLEARANCE.
5. RECOMMENDED WIRE STRIP LENGTH = 7.5mm.
6. RUBBER BUSHING SUPPLIED WITH CONNECTOR - SEE TABLE FOR APPLICABLE PRODUCT

SHELL SIZE	DIM 'A' MAX	Ø DIM 'B'	'C' THREAD	Ø DIM 'D' MAX	RUBBER BUSHING
10SL	58.72	22.04	5/8-24UNEF	7.14	C90-3240-4
12S	58.72	25.40	3/4-20UNEF	7.14	C90-3240-4
14S	58.72	28.30	7/8-20UNEF	10.31	C90-3240-6

MGP	10	29.06.22	31681
NAME	ISS.	DATE	CN/CO
APPROVED: MGP			
CHECKED: MR			
DRAWN:		R. ADDE	
CUSTOMER REF.:			
ASSEMBLY DRG:			

HARWIN

www.harwin.com
 technical@harwin.com

THIS DRAWING AND ANY INFORMATION OR DESCRIPTIVE MATTER SET OUT HEREON ARE CONFIDENTIAL AND COPYRIGHT PROPERTY OF THE HARWIN GROUP AND MUST NOT BE DISCLOSED, LOANED, COPIED OR USED FOR MANUFACTURING, TENDERING OR FOR ANY OTHER PURPOSE WITHOUT THEIR WRITTEN PERMISSION.

TOLERANCES

X. = ±1mm
 X.X = ±0.50mm
 X.XX = ±0.20mm
 X.XXX = ±0.01mm
 ANGLES = ±5°
 UNLESS STATED

MATERIAL:

SEE ABOVE

FINISH: SEE ABOVE

S/AREA:

mm²

TITLE:

STRAIGHT PLUG

DRAWING NUMBER:

C90-3106FXXSX-XX

SHT
 2 OF 2