

Customer Information Sheet

DRAWING No.: M80-F1XXXXX-XXX-XXX

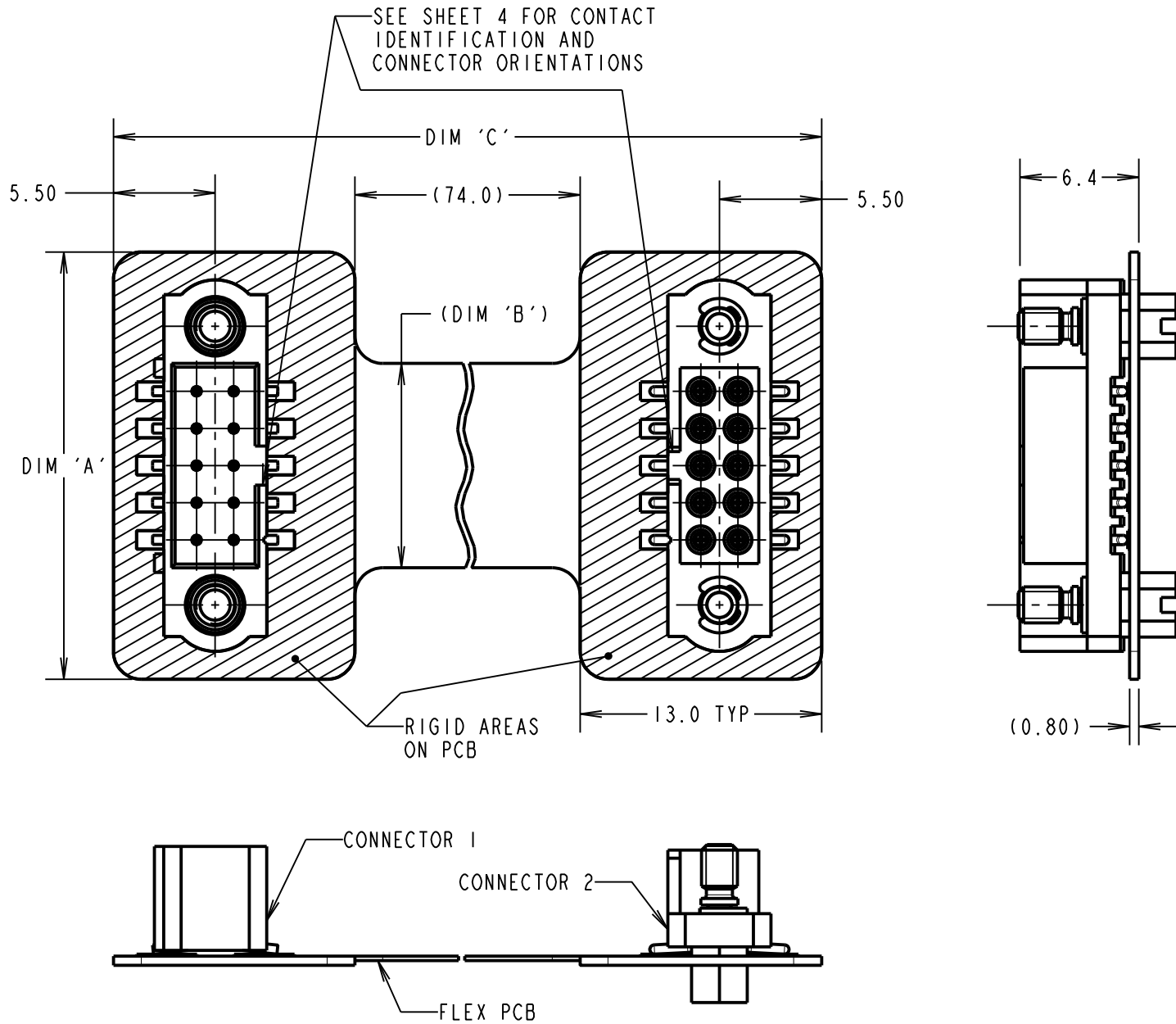
IF IN DOUBT - ASK

©

NOT TO SCALE

THIRD ANGLE PROJECTION

ALL DIMENSIONS IN mm



ORDER CODE:

M80-F1XXXXX-XXX-XXX

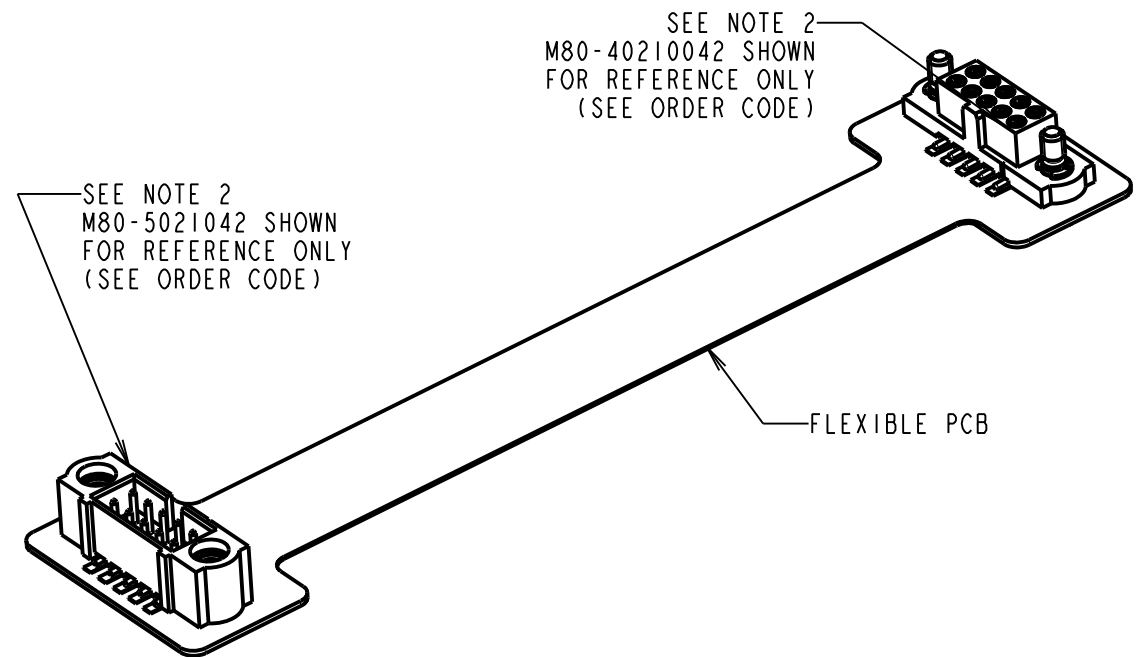
CONNECTOR 1 PART No.:
 402 = M80-402XX42
 422 = M80-422XX42
 502 = M80-502XX42
 512 = M80-512XX42

CONNECTOR 2 PART No.:
 402 = M80-402XX42
 422 = M80-422XX42
 502 = M80-502XX42
 512 = M80-512XX42

TOTAL No. OF CONTACTS:
 06, 10, 12, 16, 20, 26, 34, 50.

DIM 'C' (OVERALL LENGTH):
 999 = 999mm MAX.

CONNECTOR ASSEMBLIES AVAILABLE IN MALE-TO-MALE, FEMALE-TO-FEMALE, AND MALE-TO-FEMALE CONFIGURATIONS.



FLEX PCB SPECIFICATION:

- BOARD CONSTRUCTION:
 SINGLE LAYER FLEXIBLE PCB
 50µm BASE POLYIMIDE
 35µm (1oz) COPPER CLAD TO IPC-4204/1
 50µm BONDED COVERLAY TO IPC-4203/1
 0.8mm HTG FR4 TO IPC-4101/126 LOCALLY RIGIDISED IN CONNECTOR AREAS
- SURFACE FINISH:
 ENIG TO IPC-4552 ON EXPOSED COPPER
- IPC CLASSIFICATION:
 BARE CIRCUIT - IPC-A-600/IPC-6013 CLASS 3
 ASSEMBLY - IPC-A-610/J-STD-001 CLASS 3
- MECHANICAL PROPERTIES:
 NOMINAL FLEX THICKNESS = 0.185mm
 MINIMUM STATIC BEND RADIUS (IPC-2223) = 1.85mm
 SUITABLE FOR DYNAMIC OPERATION ON BEND RADII ABOVE 3.70mm
- ELECTRICAL PROPERTIES:
 MAX. CURRENT PER TRACK = 1.0A
 INSULATION RESISTANCE = 1GΩ MIN
 VOLTAGE PROOF (AT 1013mbar, SEA LEVEL): 1200V DC OR AC PEAK

NOTES:

1. FOR COMPLETE CONNECTOR SPECIFICATION, SEE COMPONENT SPECIFICATION C005XX (LATEST ISSUE).
2. CONNECTORS SHOWN FOR REFERENCE ONLY. SEE TABLE 2 ON SHEET 4 AND ORDER CODE FOR POSSIBLE CONFIGURATIONS.
3. JACKSCREWS MUST BE FASTENED TO 21±2cmN (AS PER C005XX).

TABLE 1

DIMENSION	CALCULATION
DIM 'A'	TOTAL No. OF CONTACTS + 13
DIM 'B'	TOTAL No. OF CONTACTS + 1
DIM 'C'	OVERALL PCB LENGTH (SEE ORDER CODE)

EXAMPLE:
 100mm FLEX PCB WITH 10 CONTACT CONNECTORS (M80-5021042, M80-4021042)

PART NUMBER = M80-F150210-100-402
 DIM 'A' = 23mm, DIM 'B' = 11mm, DIM 'C' = 100mm

RTP	5	06.05.21	30532
NAME	ISS.	DATE	CN/CO
APPROVED:		R.PORTLOCK	
CHECKED:		M.RUDKIN	
DRAWN:		R.PORTLOCK	
CUSTOMER REF.:			
ASSEMBLY DRG:			



www.harwin.com
 technical@harwin.com

THIS DRAWING AND ANY INFORMATION OR DESCRIPTIVE MATTER SET OUT HEREON ARE CONFIDENTIAL AND COPYRIGHT PROPERTY OF THE HARWIN GROUP AND MUST NOT BE DISCLOSED, LOANED, COPIED OR USED FOR MANUFACTURING, TENDERING OR FOR ANY OTHER PURPOSE WITHOUT THEIR WRITTEN PERMISSION.

TOLERANCES
 X. = ±1mm
 X.X = ±0.50mm
 X.XX = ±0.20mm
 X.XXX = ±0.01mm
 ANGLES = ±5°
 UNLESS STATED

MATERIAL:
 SEE ABOVE

FINISH: SEE ABOVE

S/AREA: mm²

TITLE:
 DATAMATE FLEX PCB
 ASSEMBLY - DOUBLE-ENDED

DRAWING NUMBER:
M80-F1XXXXX-XXX-XXX

Customer Information Sheet

DRAWING No.: M80-F1XXXXX-XXX-XXX

IF IN DOUBT - ASK

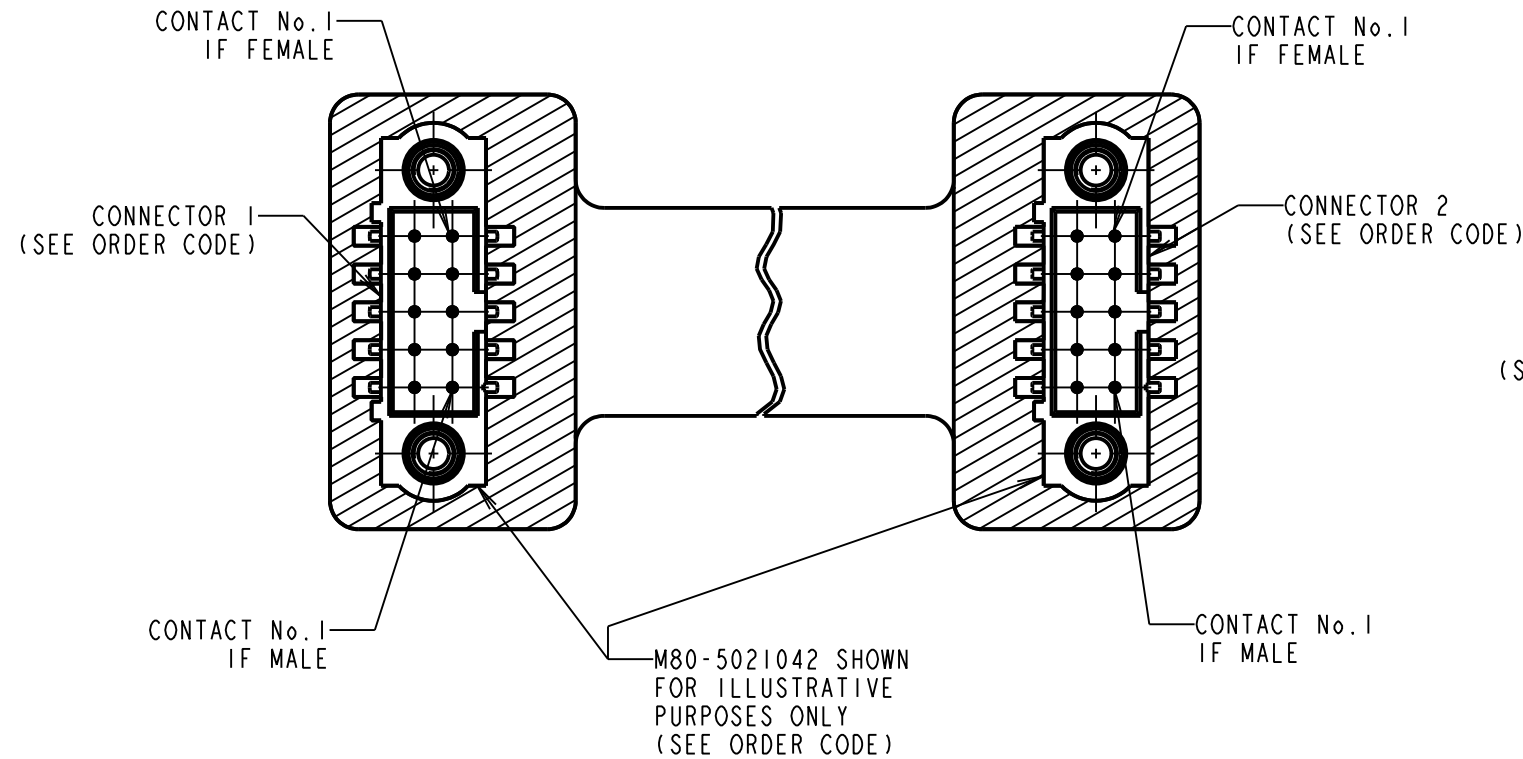
©

NOT TO SCALE

THIRD ANGLE PROJECTION

ALL DIMENSIONS IN mm

PINOUT A



PINOUT B

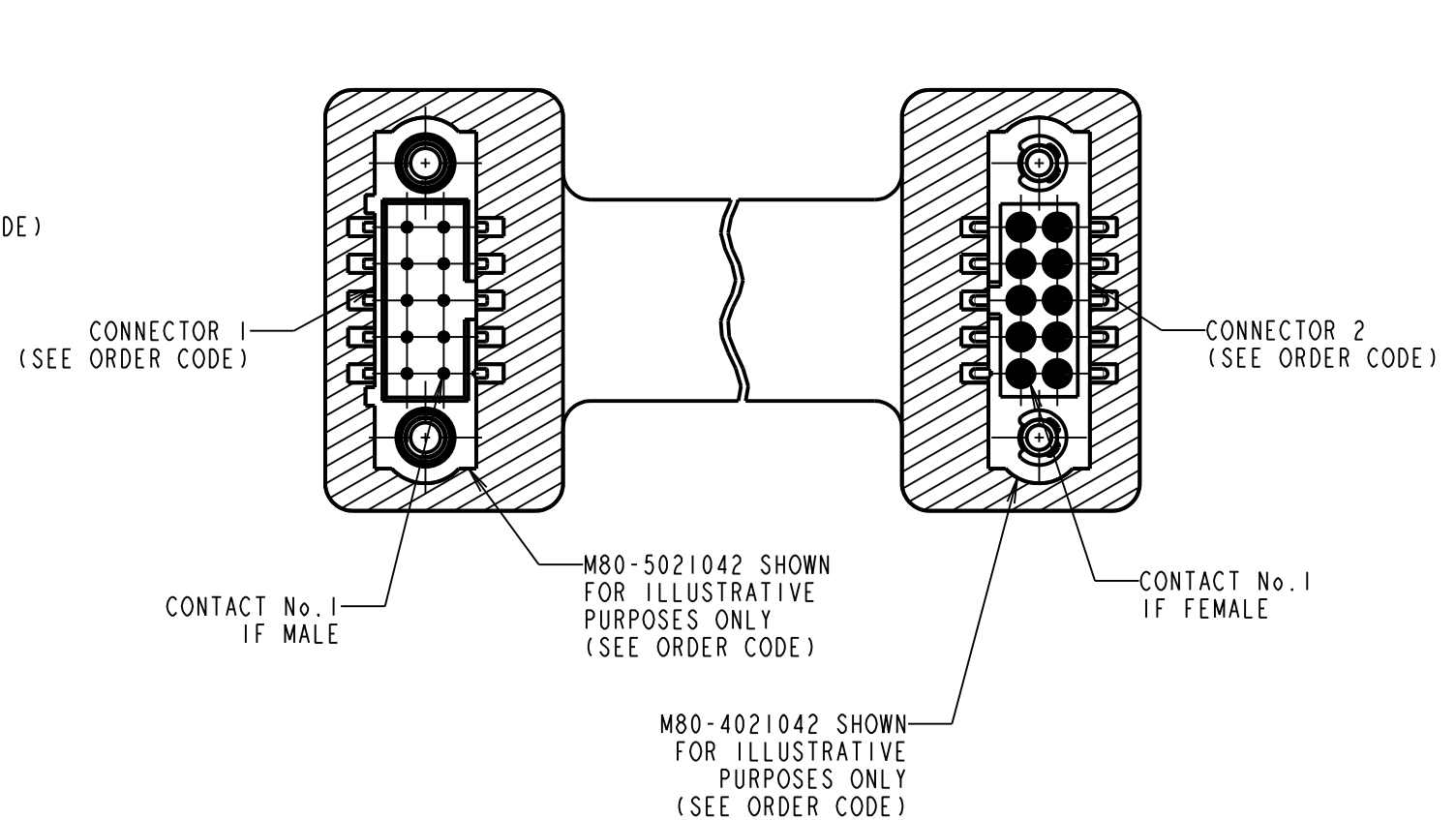


TABLE 2

CONNECTOR 1		CONNECTOR 2		PINOUT
PART No.	ORIENTATION	PART No.	ORIENTATION	
M80-402XX42	AS SHOWN	M80-402XX42	SAME AS CONNECTOR 1	PINOUT A
M80-422XX42	AS SHOWN	M80-422XX42	SAME AS CONNECTOR 1	PINOUT A
M80-502XX42	AS SHOWN	M80-502XX42	SAME AS CONNECTOR 1	PINOUT A
M80-502XX42	AS SHOWN	M80-402XX42	OPPOSITE TO CONNECTOR 1	PINOUT B
M80-512XX42	AS SHOWN	M80-512XX42	SAME AS CONNECTOR 1	PINOUT A
M80-512XX42	AS SHOWN	M80-422XX42	OPPOSITE TO CONNECTOR 1	PINOUT B

PINOUT ROUTING

PINOUT A	FOR ALL FIRST ROW CONTACTS: CONTACT X TO CONTACT ((TOTAL/2 + X) (WHERE X IS CONTACT POSITION) FOR ALL SECOND ROW CONTACTS: CONTACT Y TO CONTACT (Y - (TOTAL/2)) (WHERE Y IS CONTACT POSITION)
PINOUT B	FOR ALL CONTACTS: CONTACT Z TO CONTACT Z (WHERE Z IS CONTACT POSITION)

ORDER CODE:

M80-F1XXXXX-XXX-XXX

CONNECTOR 1 PART No.: _____ CONNECTOR 2 PART No.: _____
 402 = M80-402XX42 402 = M80-402XX42
 422 = M80-422XX42 422 = M80-422XX42
 502 = M80-502XX42 502 = M80-502XX42
 512 = M80-512XX42 512 = M80-512XX42

TOTAL No. OF CONTACTS: _____ DIM 'C' (OVERALL LENGTH): _____
 06, 10, 12, 16, 20, 26, 34, 50. 999 = 999mm MAX.

CONNECTOR ASSEMBLIES AVAILABLE IN MALE-TO-MALE, FEMALE-TO-FEMALE,
AND MALE-TO-FEMALE CONFIGURATIONS.

RTP	5	06.05.21	30532
NAME	ISS.	DATE	CN/CO
APPROVED:		R.PORTLOCK	
CHECKED:		M.RUDKIN	
DRAWN:		R.PORTLOCK	
CUSTOMER REF.:			
ASSEMBLY DRG:			

HARWIN

www.harwin.com
technical@harwin.com

THIS DRAWING AND ANY INFORMATION OR DESCRIPTIVE MATTER SET OUT HEREON ARE CONFIDENTIAL AND COPYRIGHT PROPERTY OF THE HARWIN GROUP AND MUST NOT BE DISCLOSED, LOANED, COPIED OR USED FOR MANUFACTURING, TENDERING OR FOR ANY OTHER PURPOSE WITHOUT THEIR WRITTEN PERMISSION.

TOLERANCES

X. = ±1mm
 X.X = ±0.50mm
 X.XX = ±0.20mm
 X.XXX = ±0.01mm
 ANGLES = ±5°
 UNLESS STATED

MATERIAL:

SEE SHEET 3

FINISH: SEE SHEET 3

S/AREA:

mm²

TITLE:

DATAMATE FLEX PCB
ASSEMBLY - DOUBLE-ENDED

DRAWING NUMBER:

M80-F1XXXXX-XXX-XXX

SHT

4 OF 4