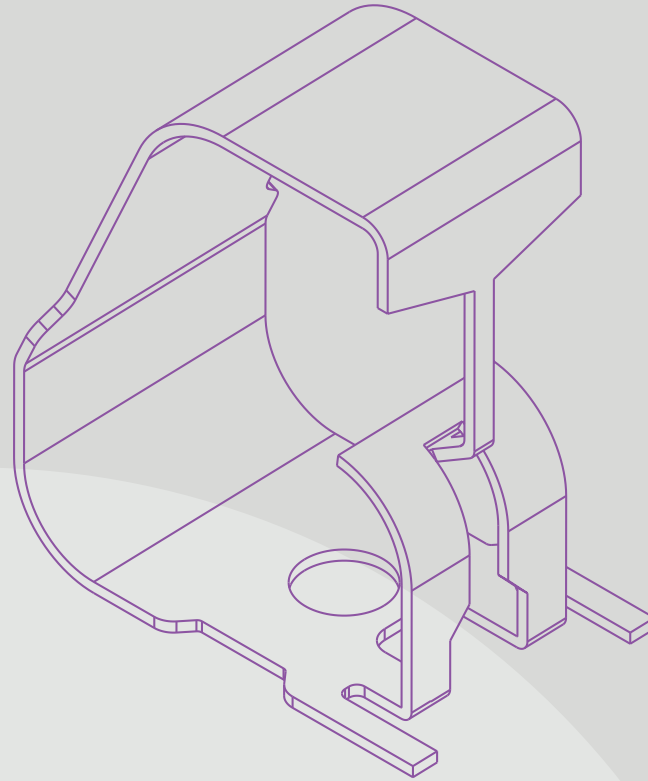


# HARWIN

CONNECT TECHNOLOGY  
WITH CONFIDENCE



**SPRING  
CONTACTS**

# SURFACE MOUNT ANTENNA, GROUNDING

SINGLE PIECE CONNECTION



INNOVATIVE  
DESIGNS FOR  
EASY ASSEMBLY

**Ezi**  
RANGE

# HARWIN

## SPRING CONTACTS

# Ezi CONNECTIONS FROM HARWIN.

### Single Piece SMT Spring Contacts

Single contact with inherent spring properties. Smaller and lighter PCB connections. Simple to assemble, easy to mate with generous tolerance to misalignment. Also called Shield Fingers, Antenna or Grounding Contacts.

Spring Contact connectors maintain a positive force against a mating surface, are available in different widths and offer a choice of spring contact forces.

Contact interconnects suit a wide variety of applications and markets, including antenna contacts in wearable and mobile applications, RFI screening, LED lamp connections, RFID tags, vision systems, PCB grounding and board-to-board contact.

Supplied on Tape and Reel with built-in pick and place zones for automated vacuum pick-up.

Free heights range from a very-low profile 1.23mm, up to 10.00mm – working heights cover 0.90mm to 9.50mm.

Multi-directional contacts work with either parallel or right-angle mating surfaces.

The Development Kit includes a selection of 16 different spring contacts for testing and prototyping.

## FEATURES

- Simple and effective method for connecting pcbs
- Compact and lightweight for wearables and hand-held devices
- Surface mount, with pick/place zones, supplied tape and reeled for volume automation

## APPLICATIONS

- Industrial
- Communications
- Retail
- Instrumentation
- Consumer



# SPRING CONTACTS

## SPECIFICATIONS

MATERIALS	ELECTRICAL	MECHANICAL	DIMENSIONS
<p>Base material: <b>Copper Alloy</b></p>	<p>Current rating: <b>Up to 14A</b></p>	<p>Durability: <b>Up to 10,000 mating cycles</b></p>	<p>Free height range: <b>1.23mm to 10.00mm</b></p>
<p>Plating finish: <b>Gold, Tin or Selective Gold + Tin</b></p>			
<p>Packaging: <b>Tape and Reel</b></p>		<p>Force at working height: <b>0.39N to 2.00N</b></p>	<p>Working height range: <b>0.90mm to 9.50mm</b></p>
<p>Compliance: <b>RoHS Compliant</b> <b>REACH / CMRT statements</b></p>			

Specifications are subject to change.



# SPRING CONTACTS

## PRODUCT CATEGORIES

### C Shape

Basic shape gives simple and effective contact with metal shields or frames.

Range of free heights from 1.7mm to 5.6mm, working heights from 1.5mm to 4.6mm.



### Anti-Hook Box

Similar to C shape with additional feature to prevent damage caused by accidental snagging of the free end.

Range of free heights from 3.5mm to 6mm, working heights from 3 to 4.5mm.



### Extended Antenna

Extended C shape ideal for antenna contacts in mobile devices. Suitable for wiping and sliding actions.

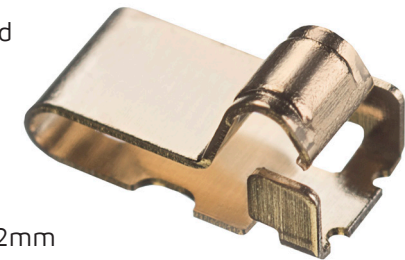
Range extends from 2mm to 5mm free heights, with working heights from 1.4mm to 4.4mm.



### Positive Stop

Incorporates multiple advantages from the other styles – suitable for wiping and sliding, avoids accidental snagging and damage. The positive stop prevents over-deflection and permanent set over time.

Lowest profile options from 1.23mm to 2mm free height, and 0.90 to 1.70mm working heights.



Specifications are subject to change.

# SPRING CONTACTS

## PRODUCT CATEGORIES

### Multi-Directional

Contacts designed for both horizontal and vertical compression – use with mating surfaces in either parallel or right-angle orientation. Elevated pick and place zone for automated assembly.



### Development Kit

Selection box containing 16 different designs of SMT spring contact. Free refills, assists with design, development, and prototyping.



Specifications are subject to change.



VIEW FULL SERIES & SPECIFICATIONS [HERE](#)



# **SPRING CONTACTS**


## DOWNLOADS

### Technical Documents

Component Specification 


---

### Product Training

Product Training Module (PTM) 

SMT Spring Contact comparison chart 

### Test Reports

**HT077** – Mini Multi-Directional Spring Contacts –  
General Testing 

Specifications are subject to change.



VIEW FULL SERIES & SPECIFICATIONS  **HERE**

# HARWIN

CONNECT TECHNOLOGY  
WITH CONFIDENCE



HIGH RELIABILITY  
WITH SUPREME  
PERFORMANCE



DEPENDABLE  
CONNECTIVITY  
ACROSS THE BOARD



INNOVATIVE  
DESIGNS FOR  
EASY ASSEMBLY

**HRI**  
RANGE

**BBi**  
RANGE

**EZi**  
RANGE

FOR FURTHER INFORMATION PLEASE CONTACT:

**Europe, Middle East & Africa**

E: [technical@harwin.com](mailto:technical@harwin.com)

**Americas**

E: [technical-us@harwin.com](mailto:technical-us@harwin.com)

**Asia Pacific**

E: [technical-asia@harwin.com](mailto:technical-asia@harwin.com)

// [WWW.HARWIN.COM](http://WWW.HARWIN.COM)