

Customer Information Sheet

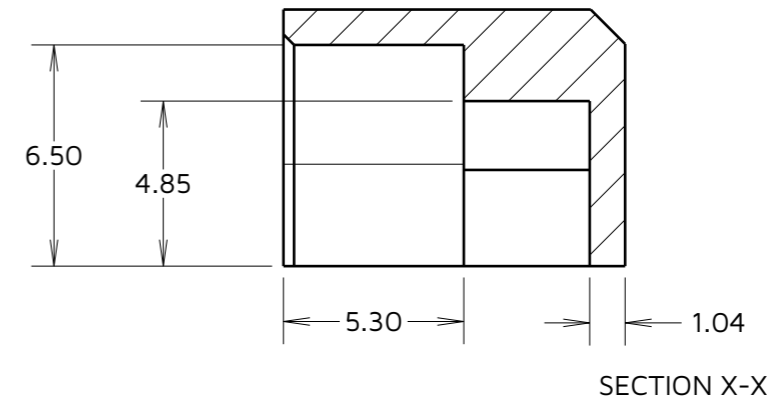
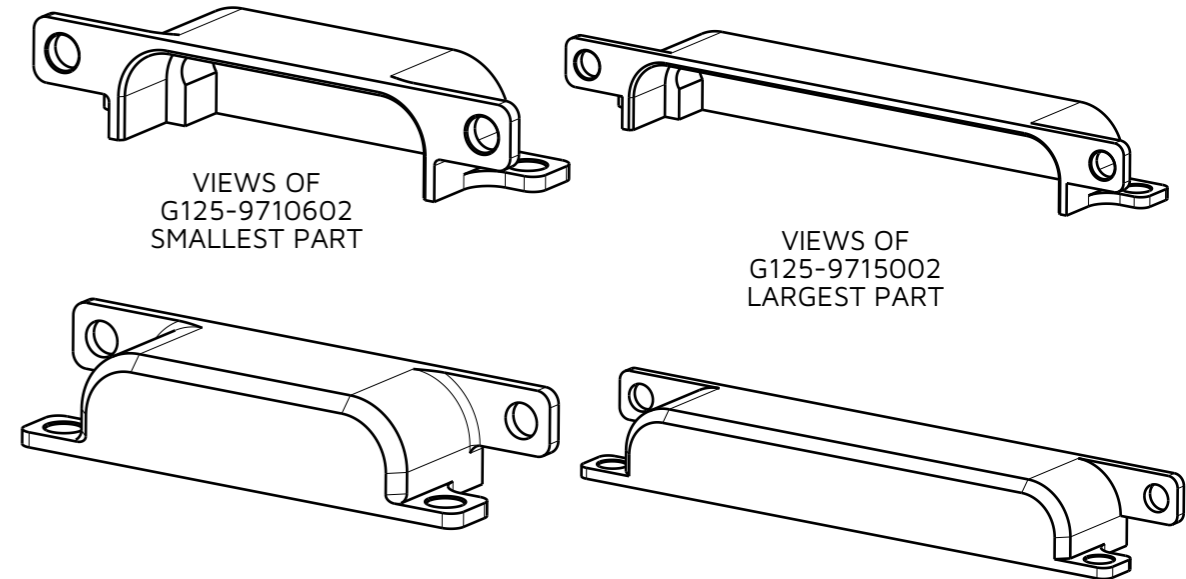
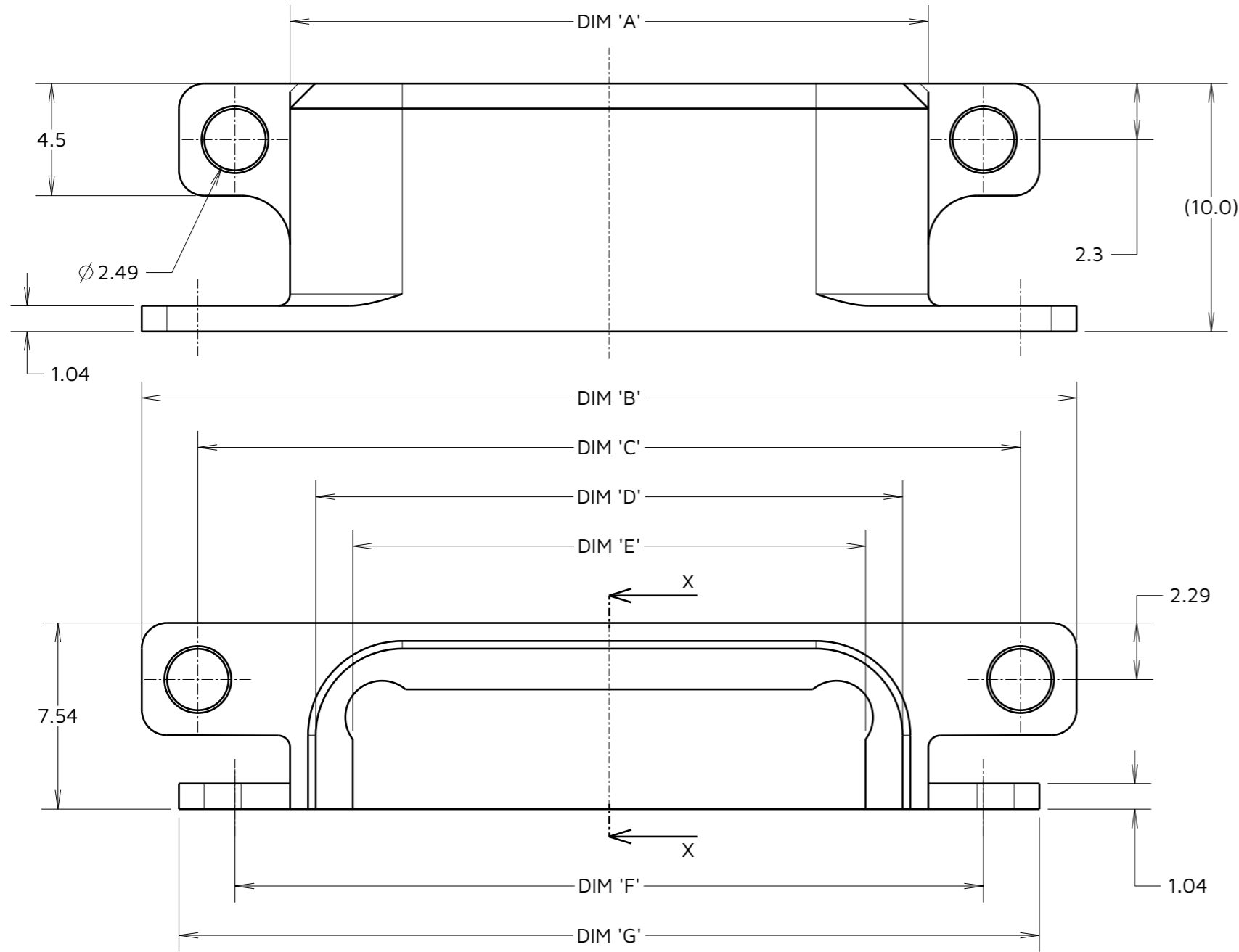
IF IN DOUBT - ASK

©

NOT TO SCALE

THIRD ANGLE PROJECTION

ALL DIMENSIONS IN mm



ORDER CODE:

G125-971XX02

TOTAL No. OF CONTACTS
06, 10, 12, 16, 20, 26, 34 & 50

TABLE 3: PART VARIANT CALCULATION

DIMENSION	CALCULATION
DIM 'A'	(TOTAL No. OF CONTACTS - 2) x 0.625 + 17.1
DIM 'B'	(TOTAL No. OF CONTACTS - 2) x 0.625 + 29.1
DIM 'C'	(TOTAL No. OF CONTACTS - 2) x 0.625 + 24.56
DIM 'D'	(TOTAL No. OF CONTACTS - 2) x 0.625 + 15.0
DIM 'E'	(TOTAL No. OF CONTACTS - 2) x 0.625 + 12.0
DIM 'F'	(TOTAL No. OF CONTACTS - 2) x 0.625 + 21.55
DIM 'G'	(TOTAL No. OF CONTACTS - 2) x 0.625 + 26.1
DIM 'H'	(TOTAL No. OF CONTACTS - 2) x 0.625

NOTES:

- ALL PCB LAYOUTS DRAWN WITH MATING FACE BELOW PINS. LAYOUTS ONLY FOR BACKSHELL MOUNTING, FOR CONNECTOR PCB LAYOUT SEE COMPONENT DRAWING
- MOUNTING HARDWARE NOT PROVIDED, M2 FIXINGS WITH 4.5mm MAX BOLT HEAD DIAMETER RECOMMENDED. BOLT FROM ABOVE.
USE HEX SOCKET BOLT G125-4520000B COMBINED WITH SLOTTED NUT G125-4510000B FOR MOUNTING TO PCBs OR PANELS UP TO 2mm THICK.
- MATERIAL: ALUMINIUM ALLOY
- FINISH: ELECTROLESS NICKEL
- FOR FULL COMPONENT SPECIFICATION SEE C125XX (LATEST ISSUE)

AY	2	19.03.24	33842
NAME	ISS.	DATE	CN/CO
APPROVED:		A.YEOMANS	
CHECKED:		A.BOXALL	
DRAWN:		R.ALEXANDER	
ASSEMBLY DRG:			

HARWIN

www.harwin.com

TOLERANCES
X. = ±1mm
X.X = ±0.50mm
X.XX = ±0.20mm
X.XXX = ±0.01mm
ANGLES = ±5°
UNLESS STATED

THIS DRAWING AND ANY INFORMATION OR DESCRIPTIVE MATTER SET OUT HEREON ARE CONFIDENTIAL AND COPYRIGHT PROPERTY OF THE HARWIN GROUP AND MUST NOT BE DISCLOSED, LOANED, COPIED OR USED FOR MANUFACTURING, TENDERING OR FOR ANY OTHER PURPOSE WITHOUT THEIR WRITTEN PERMISSION.

MATERIAL:

SEE NOTES

TITLE:
**GECKO MALE HORIZONTAL
PANEL MOUNT BACKSHELL**

DRAWING NUMBER:
G125-971XX02

SHT
5
OF
6

Customer Information Sheet

IF IN DOUBT - ASK

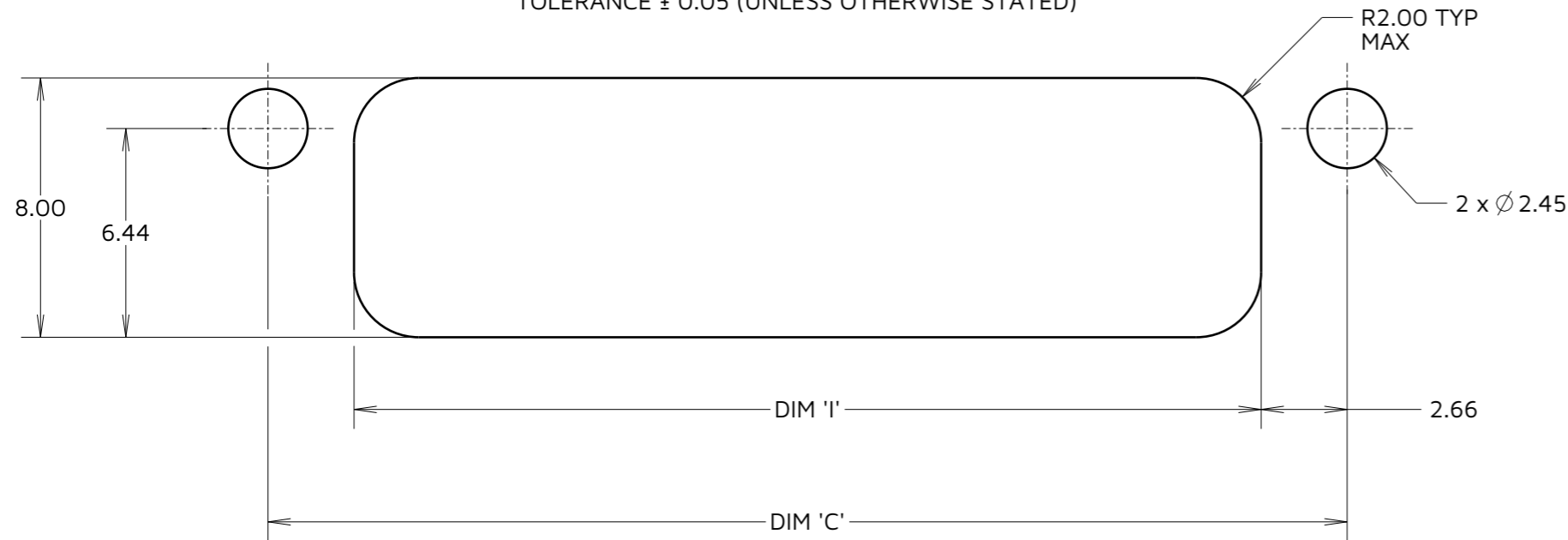
©

NOT TO SCALE

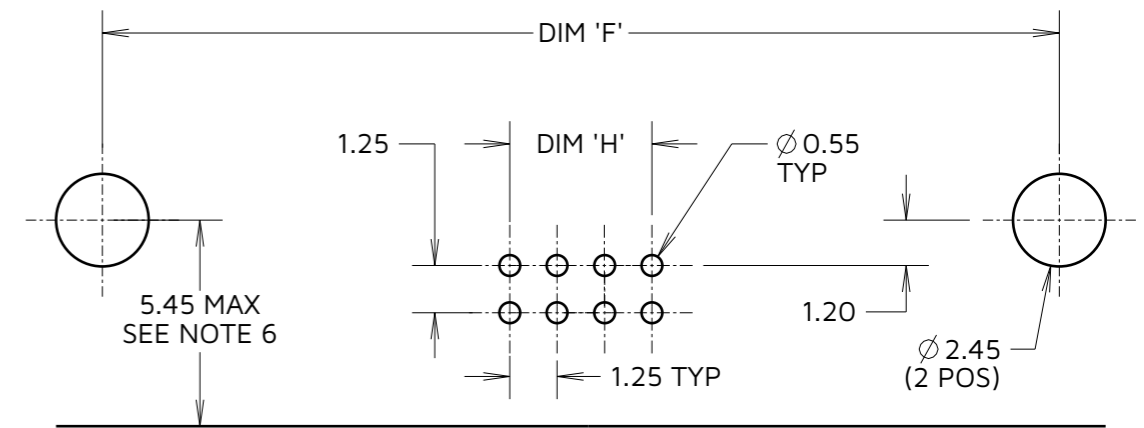
THIRD ANGLE PROJECTION

ALL DIMENSIONS IN mm

RECOMMENDED PANEL CUTOUT FOR USE WITH SHIELDED ASSEMBLIES
SEE NOTES 7 & 8
TOLERANCE ± 0.05 (UNLESS OTHERWISE STATED)



RECOMMENDED PCB LAYOUT
TOLERANCE ± 0.05 (UNLESS OTHERWISE STATED)



ORDER CODE:

G125-971XX02

TOTAL No. OF CONTACTS _____
06, 10, 12, 16, 20, 26, 34 & 50

TABLE 4: PART MOUNTING CALCULATION

DIMENSION	CALCULATION
DIM 'C'	(TOTAL No. OF CONTACTS - 2) x 0.625 + 24.56
DIM 'I'	(TOTAL No. OF CONTACTS - 2) x 0.625 + 19.23

NOTES:

- MAXIMUM DISTANCE FROM EDGE OF BOARD WHEN PAIRING WITH SHIELDED CABLE.
- ALL PANEL LAYOUTS ARE VIEWED FROM THE FRONT OF THE CONNECTOR WITH THE SHIELD MOUNTED ON TOP.
- PANELS MAY BE OF ANY THICKNESS WHEN USING THE LAYOUTS ABOVE.

AY	2	19.03.24	33842
NAME	ISS.	DATE	CN/CO
APPROVED:		A.YEOMANS	
CHECKED:		A.BOXALL	
DRAWN:		R.ALEXANDER	
ASSEMBLY DRG:			

HARWIN

www.harwin.com

TOLERANCES
X. = ±1mm
X.X = ±0.50mm
X.XX = ±0.20mm
X.XXX = ±0.01mm
ANGLES = ±5°
UNLESS STATED

THIS DRAWING AND ANY INFORMATION OR DESCRIPTIVE MATTER SET OUT HEREON ARE CONFIDENTIAL AND COPYRIGHT PROPERTY OF THE HARWIN GROUP AND MUST NOT BE DISCLOSED, LOANED, COPIED OR USED FOR MANUFACTURING, TENDERING OR FOR ANY OTHER PURPOSE WITHOUT THEIR WRITTEN PERMISSION.

MATERIAL:

SEE SHEET 5

TITLE:

**GECKO MALE HORIZONTAL
PANEL MOUNT BACKSHELL**

DRAWING NUMBER:

G125-971XX02

SHT
6
OF
6