

# Customer Information Sheet

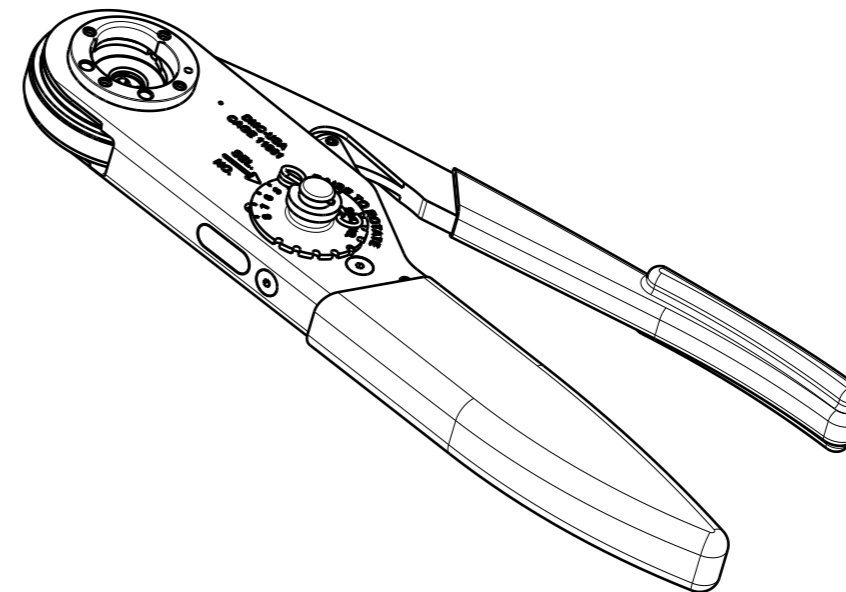
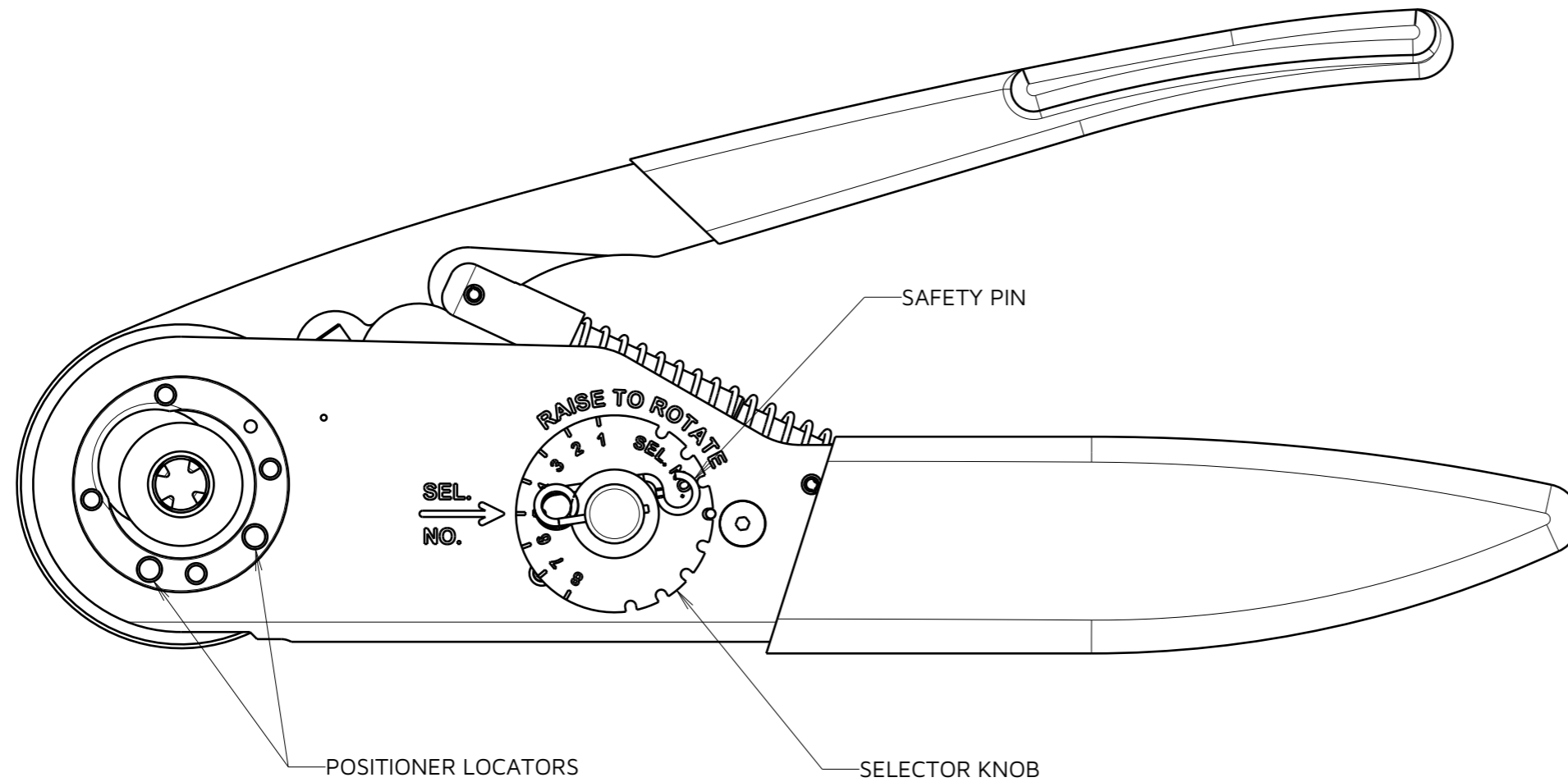
IF IN DOUBT - ASK

©

NOT TO SCALE

THIRD ANGLE PROJECTION

ALL DIMENSIONS IN mm



POSITIONER HARWIN PART No.	CONTACT PART No.	SELECTOR No.	WIRE GAUGE
ZA1-921	KA1-0450005	SETTING 8	8 AWG

RTP	1	07.09.23	33001
NAME	ISS.	DATE	CN/CO
APPROVED:		M.PLESTED	
CHECKED:		A.BOXALL	
DRAWN:		R.PORTLOCK	
ASSEMBLY DRG:			

**NOTES:**

- HAND CRIMP TOOL MUST BE USED WITH POSITONER AND SELECTOR NUMBER AS SHOWN IN THE TABLE.
- SEE TOOLING INSTRUCTION SHEET IS-49 FOR CRIMPING INSTRUCTIONS.
- TOOLS ARE SUPPLIED INDIVIDUALLY IN BOXES.

**HARWIN**

www.harwin.com

**TOLERANCES**

X. = ±1mm  
 X.X = ±0.50mm  
 X.XX = ±0.20mm  
 X.XXX = ±0.01mm  
 ANGLES = ±5°  
 UNLESS STATED

THIS DRAWING AND ANY INFORMATION OR DESCRIPTIVE MATTER SET OUT HEREON ARE CONFIDENTIAL AND COPYRIGHT PROPERTY OF THE HARWIN GROUP AND MUST NOT BE DISCLOSED, LOANED, COPIED OR USED FOR MANUFACTURING, TENDERING OR FOR ANY OTHER PURPOSE WITHOUT THEIR WRITTEN PERMISSION.

MATERIAL:

TITLE:

**KA1 KONA CONTACT  
HAND CRIMP TOOL**

DRAWING NUMBER:

**ZA1-920**

SHT  
2  
OF  
2