

Customer Information Sheet

DRAWING No.: S7081-42R

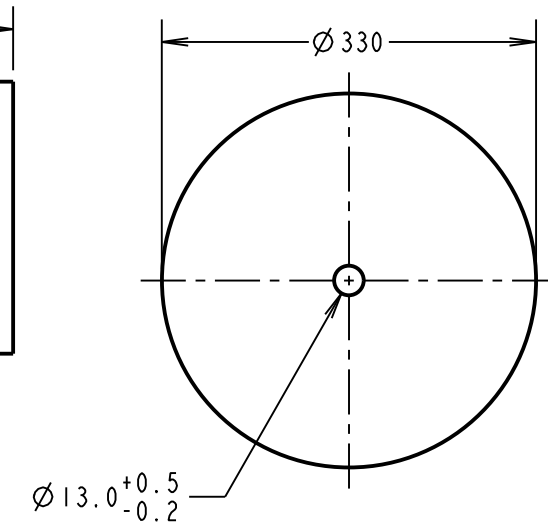
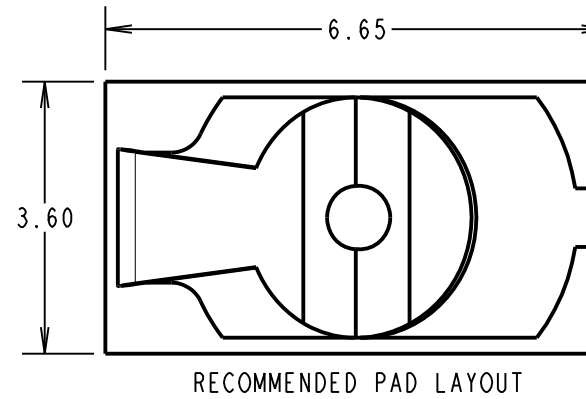
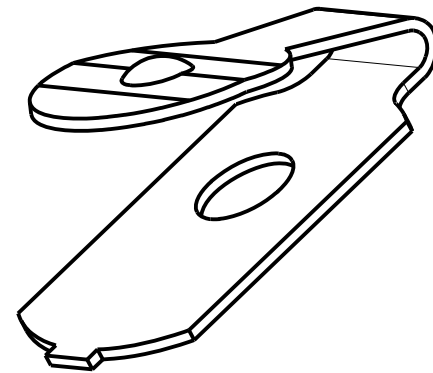
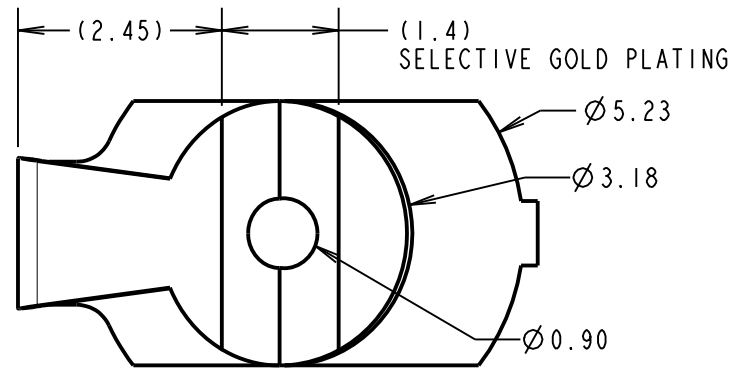
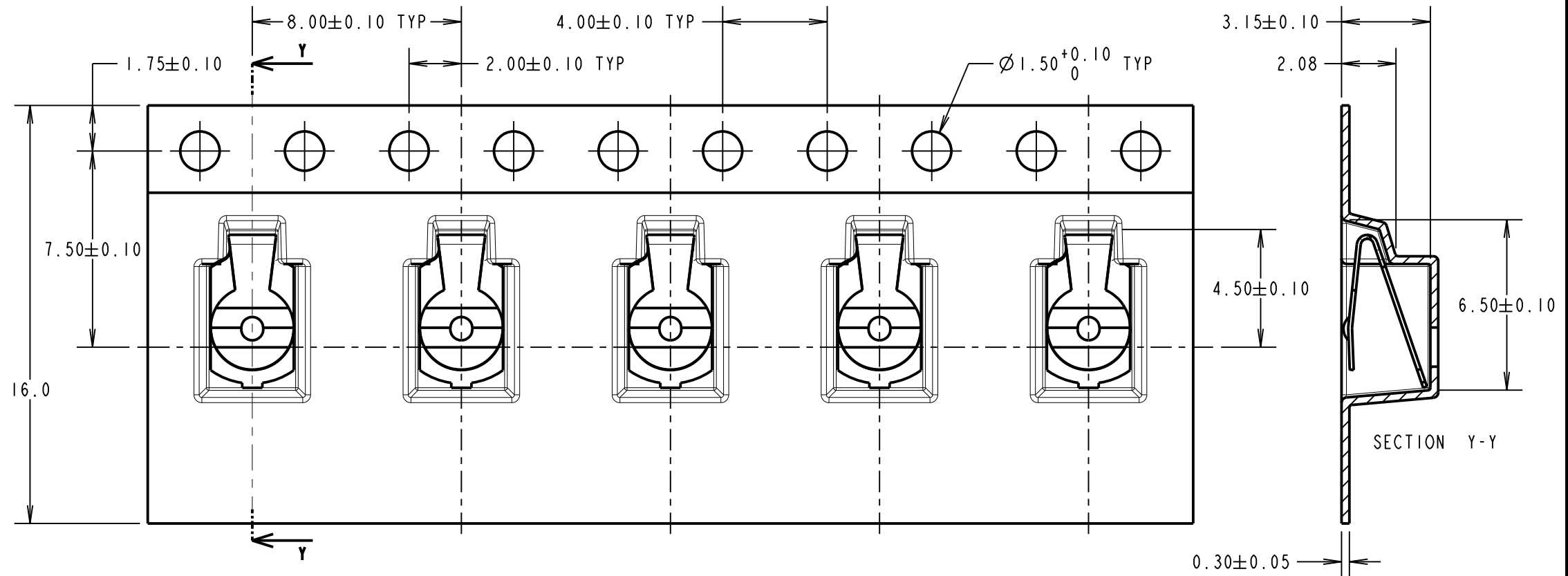
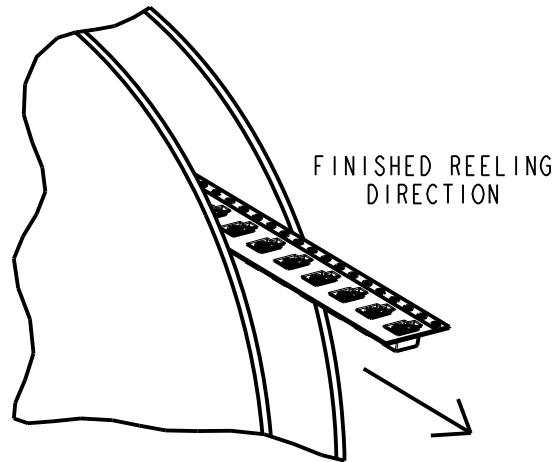
IF IN DOUBT - ASK

©

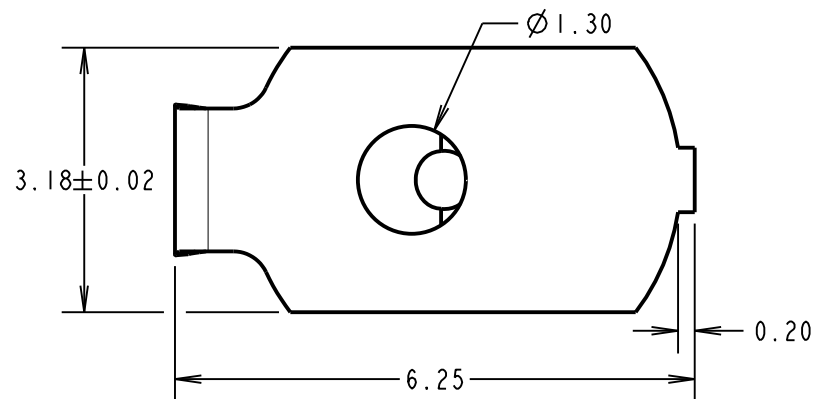
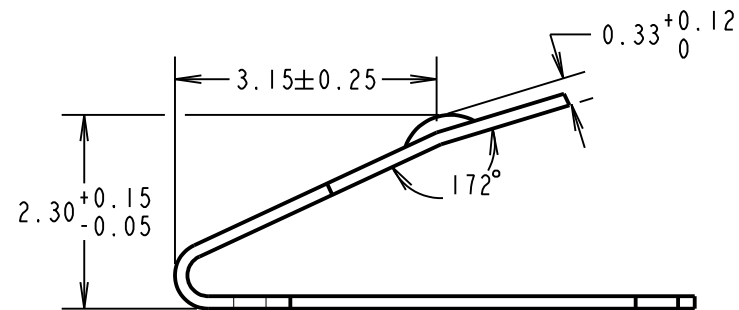
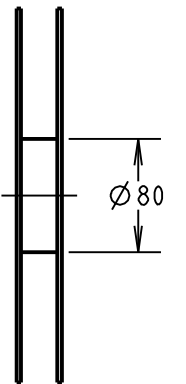
NOT TO SCALE

THIRD ANGLE PROJECTION

ALL DIMENSIONS IN mm



REEL DETAILS



COMPONENT SPECIFICATION

MATERIAL = TITANIUM COPPER ALLOY,
0.15mm THICK
FINISH = 0.7µm-1.3µm NICKEL, GOLD FLASH
ON CONTACTS AND 2.54µm MIN 100%
TIN ON FOOT AREA.

RECOMMENDED WORKING HEIGHT = 2.10mm / MIN FORCE = 1.2N
RECOMMENDED MINIMUM WORKING HEIGHT = 1.70mm

ELECTRICAL:

CONTACT RATING = 4A

MECHANICAL:

DURABILITY = 1000 CYCLES

ENVIRONMENTAL:

OPERATING TEMPERATURE = -55°C TO +125°C

NOTES:

- QUANTITY PER REEL = 2500.
- ALL TOLERANCES ARE: X.X = ±0.30mm
X.XX = ±0.15mm
X.XXX = ±0.01mm
ANGLES = ±2.0°
UNLESS OTHERWISE STATED.

MGP	7	18.01.22	31219
NAME	ISS.	DATE	CN/CO
APPROVED: MGP			
CHECKED: MR			
DRAWN: R.ADDE			
CUSTOMER REF.:			
ASSEMBLY DRG:			

HARWIN

www.harwin.com
technical@harwin.com

THIS DRAWING AND ANY INFORMATION OR DESCRIPTIVE MATTER SET OUT HEREON ARE CONFIDENTIAL AND COPYRIGHT PROPERTY OF THE HARWIN GROUP AND MUST NOT BE DISCLOSED, LOANED, COPIED OR USED FOR MANUFACTURING, TENDERING OR FOR ANY OTHER PURPOSE WITHOUT THEIR WRITTEN PERMISSION.

TOLERANCES
X = ±1mm
X.X = ±0.50mm
X.XX = ±0.20mm
X.XXX = ±0.01mm
ANGLES = ±5°
UNLESS STATED

MATERIAL:

SEE ABOVE

FINISH:

SEE ABOVE

S/AREA:

mm²

TITLE:

SMT SHIELD FINGER (2.75mm)
IN TAPE AND REEL

DRAWING NUMBER:

S7081-42R

SHT
2 OF 2