

Customer Information Sheet

DRAWING No.: M80-9480000

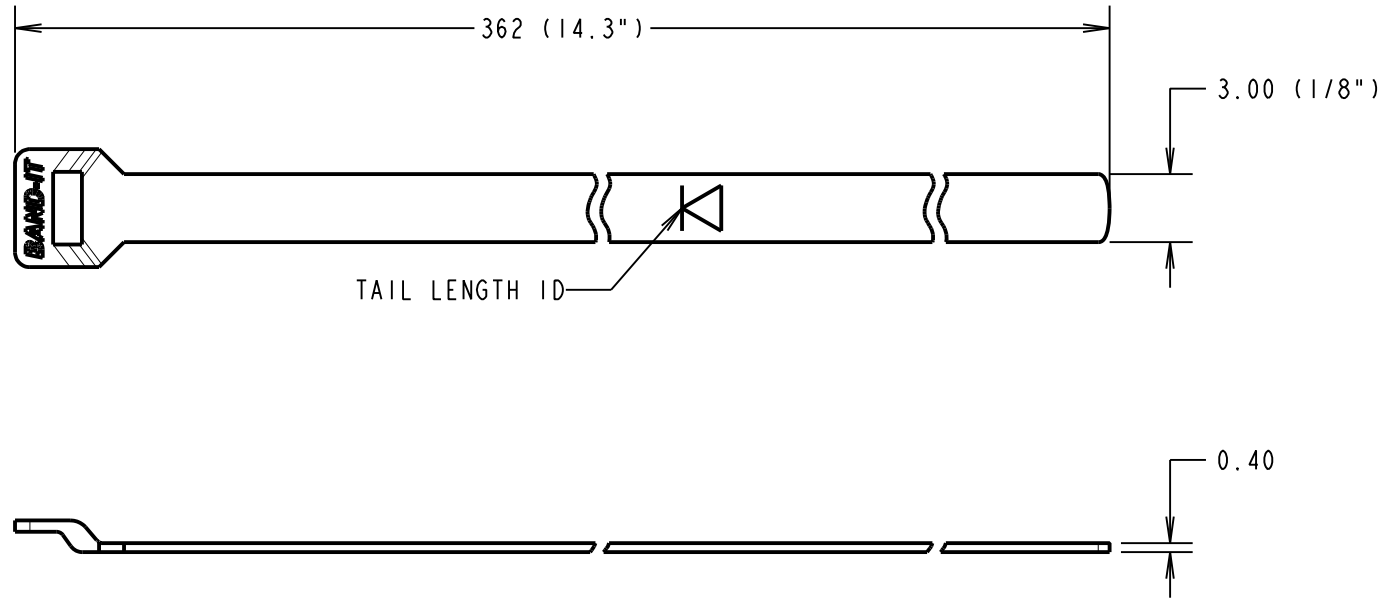
IF IN DOUBT - ASK

©

NOT TO SCALE

THIRD ANGLE PROJECTION

ALL DIMENSIONS IN mm



NOTES:

1. DOUBLE-WRAPPED BANDS WILL ACCOMMODATE DIAMETERS UP TO APPROXIMATELY 47.8mm.
2. BAND-IT TIE SUPPLIED UNCOILED.
3. BAND-IT PART No.: A31089. FOR USE WITH TIE DEX II A30199 MICRO BAND TOOL.

MGP	1	11.12.19	-----
NAME	ISS.	DATE	C/NOTE
APPROVED: MGP			
CHECKED: RP			
DRAWN: M.G.PLESTED			
CUSTOMER REF.:			
ASSEMBLY DRG:			

HARWIN

www.harwin.com
technical@harwin.com

THIS DRAWING AND ANY INFORMATION OR DESCRIPTIVE MATTER SET OUT HEREON ARE CONFIDENTIAL AND COPYRIGHT PROPERTY OF THE HARWIN GROUP AND MUST NOT BE DISCLOSED, LOANED, COPIED OR USED FOR MANUFACTURING, TENDERING OR FOR ANY OTHER PURPOSE WITHOUT THEIR WRITTEN PERMISSION.

TOLERANCES
 X. = ±1mm
 X.X = ±0.50mm
 X.XX = ±0.20mm
 X.XXX = ±0.01mm
 ANGLES = ±5°
 UNLESS STATED

MATERIAL:
 STAINLESS STEEL
FINISH: CLEAN
S/AREA: 2485.3 mm²

TITLE: BACKSHELL EXTENDED STAINLESS STEEL BAND-IT TIE
DRAWING NUMBER: M80-9480000

SHT
2 OF 2