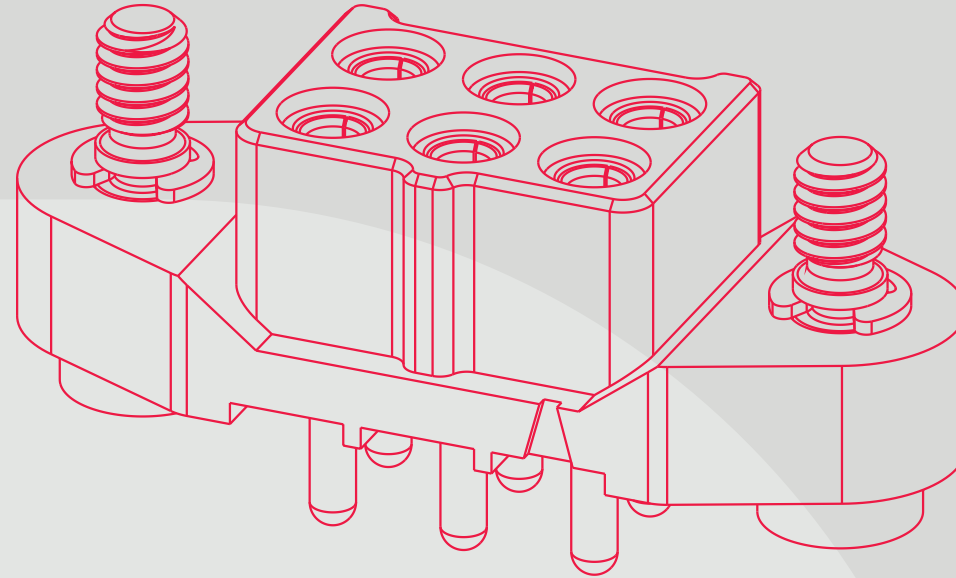


# HARWIN

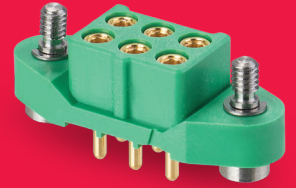
CONNECT TECHNOLOGY  
WITH CONFIDENCE



**M300**

# HIGH RELIABILITY HIGH TEMPERATURE

ROBUST COMPACT POWER CONNECTORS



HIGH RELIABILITY  
WITH SUPREME  
PERFORMANCE

## HARWIN

RANGE

**HARWIN**

**M300**

# HRI CONNECTORS FROM HARWIN.

## Robust & Compact Power Connections for SWaP-C Optimization

Connectors designed for challenging environments, with a wide temperature range, vibration and shock resistance and strain-resistant mating. Durability with robust housings; tough and lightweight.

Power handling in a small but versatile design. Easy to assemble and mate with polarization and shrouding, position 1 marking, and a robust housing design.

Cable-to-board and board-to-board; pin counts of 3, 6 and 10 at up to 10A per contact. Maximum voltage rating of 1,800V delivered by 4-finger Beryllium copper alloy contacts. Accommodates working temperatures from -65°C to +175°C, maintaining electrical connectivity in a variety of harsh environments.

Gold plating resists wear from continued use: mating durability exceeds 1,000 operations. Delivering long-life durability in mate-and-forget operations.

Use the stainless steel jackscrews for connector-to-connector strain relief; add backpotting resin inside the cable connector rear cavity to protect against cable strain. Cable assembly options are available from our in-house cabling experts, ready for your prototyping or production line needs.

## FEATURES

- Comprehensive operating temperature range for a wide variety of challenging environments
- Power connection under extreme environments – vibration, shock and temperature resistance
- Low outgassing, great for space, avionics and optronics

## APPLICATIONS

- Aviation and UAVs
- New Space
- Motorsport, EVs
- Defense & Security
- High-end Industrial



# M300

## SPECIFICATIONS

MATERIALS	ELECTRICAL	MECHANICAL	ENVIRONMENTAL
Housings: <b>Glass-Filled High Temperature Thermoplastic, UL94V-0</b>	Current per contact: <b>10A max</b>	Durability: <b>1,000 mating cycles</b>	Operating temperature: <b>-65°C to +175°C</b>
	Working voltage: <b>60V AC/DC</b>	Insertion force (per contact): <b>9N max</b>	Humidity: <b>90% RH at +40°C for 56 days</b>
Contacts: <b>Copper Alloy, Gold Plating</b>	Maximum voltage: <b>1,800V AC</b>	Withdrawal force (per contact): <b>1N min</b>	Vibration resistance: <b>10G (98.1m/s<sup>2</sup>) for 9 hrs</b>
	Contact resistance: <b>6mΩ max</b>	Contact retention in housing: <b>15N min</b>	Shock resistance: <b>100G (981m/s<sup>2</sup>)</b>
Jackscrews: <b>Stainless Steel</b>	Insulation resistance: <b>100MΩ min</b>	Pitch: <b>3.00mm</b>	Outgassing: <b>0.68% TML, 0.01% CVCM, 0.26% WVR</b>
			Compliance: <b>RoHS Compliant REACH / CMRT statements</b>

Specifications are subject to change.



# M300

## PRODUCT CATEGORIES

### Cable Connector Parts

Male and female cable housings and contacts available separately. Jackscrews are supplied assembled to the housings. Floating fixings on female connectors; male housings available with front panel mount.



### Cable Assemblies

Ready-to-use cabled connectors, single or double ended, fully inspected and tested. Ideal for both prototyping and full production requirements.



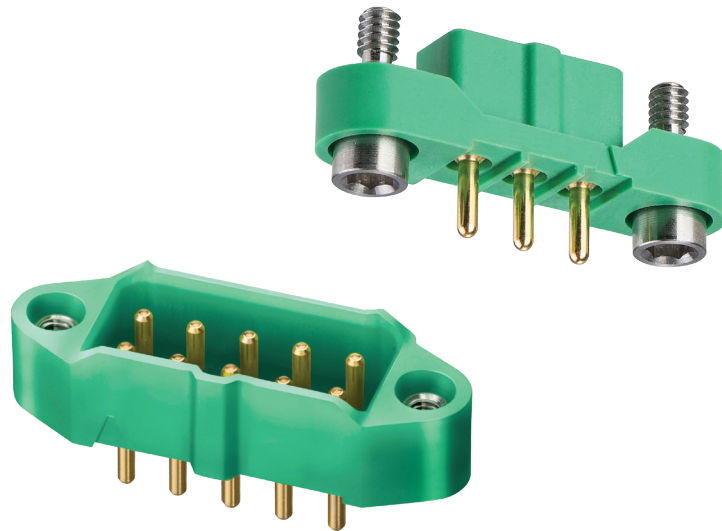
Specifications are subject to change.

# M300

## PRODUCT CATEGORIES

### PCB Connectors

Female and male board-mounted connectors with intermating jackscrews. Vertical orientation. No. 1 contact indication.



### Tooling & Accessories

Associated products and tooling to support the M300 range.



Specifications are subject to change.

# M300

## DOWNLOADS

### Technical Documents

Component Specification (including pin numbering system)



---

### Product Training

Product Training Module (PTM)



### Test Reports

HT043 – M300 General Testing



Specifications are subject to change.



VIEW FULL SERIES & SPECIFICATIONS [HERE](#)



# HARWIN

CONNECT TECHNOLOGY  
WITH CONFIDENCE



HIGH RELIABILITY  
WITH SUPREME  
PERFORMANCE



DEPENDABLE  
CONNECTIVITY  
ACROSS THE BOARD



INNOVATIVE  
DESIGNS FOR  
EASY ASSEMBLY

**HRI**  
RANGE

**BBi**  
RANGE

**EZi**  
RANGE

FOR FURTHER INFORMATION PLEASE CONTACT:

**Europe, Middle East & Africa**  
E: [technical@harwin.com](mailto:technical@harwin.com)

**Americas**  
E: [technical-us@harwin.com](mailto:technical-us@harwin.com)

**Asia Pacific**  
E: [technical-asia@harwin.com](mailto:technical-asia@harwin.com)

// [WWW.HARWIN.COM](http://WWW.HARWIN.COM)