

Customer Information Sheet

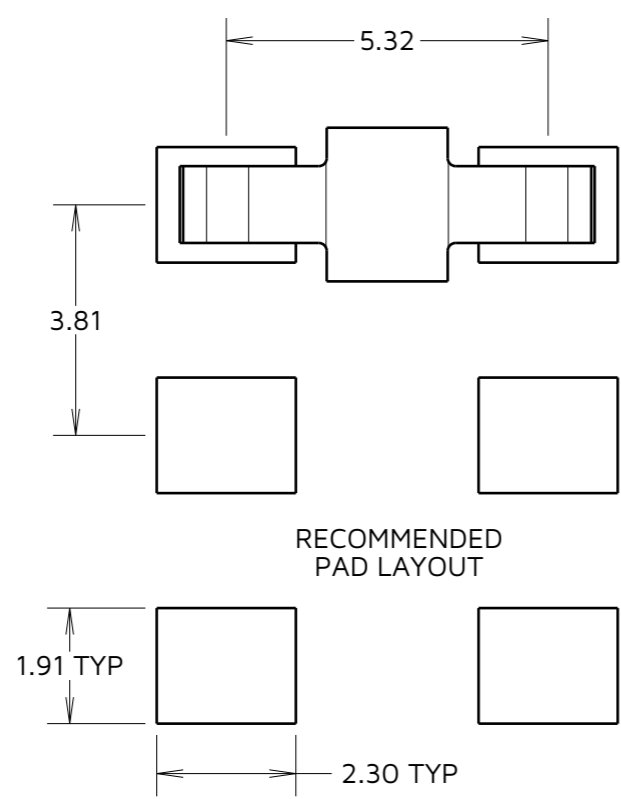
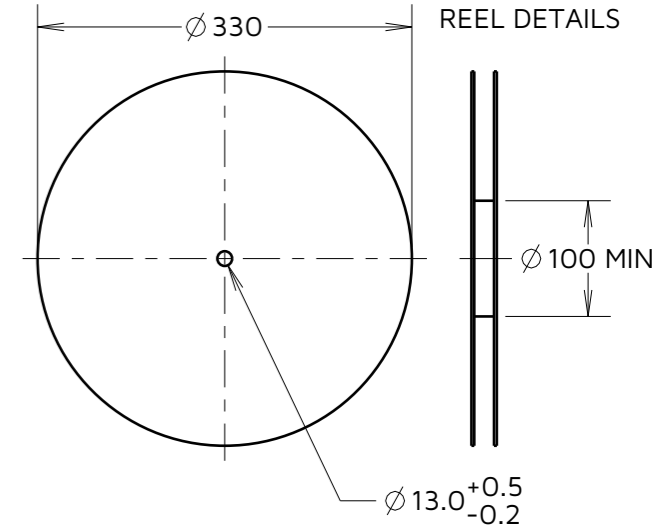
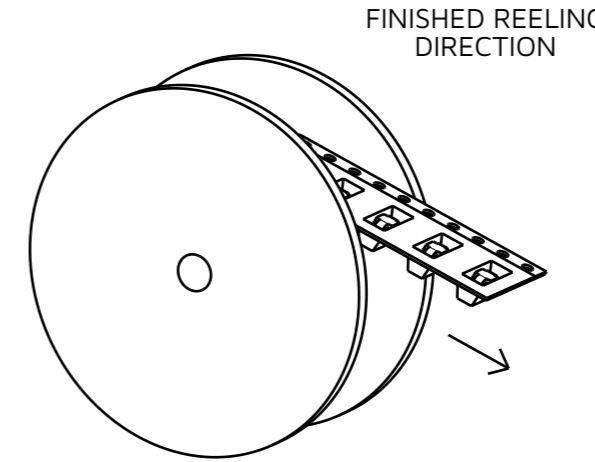
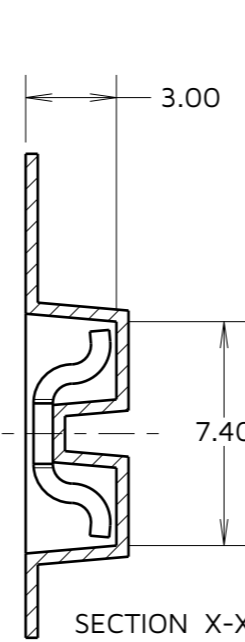
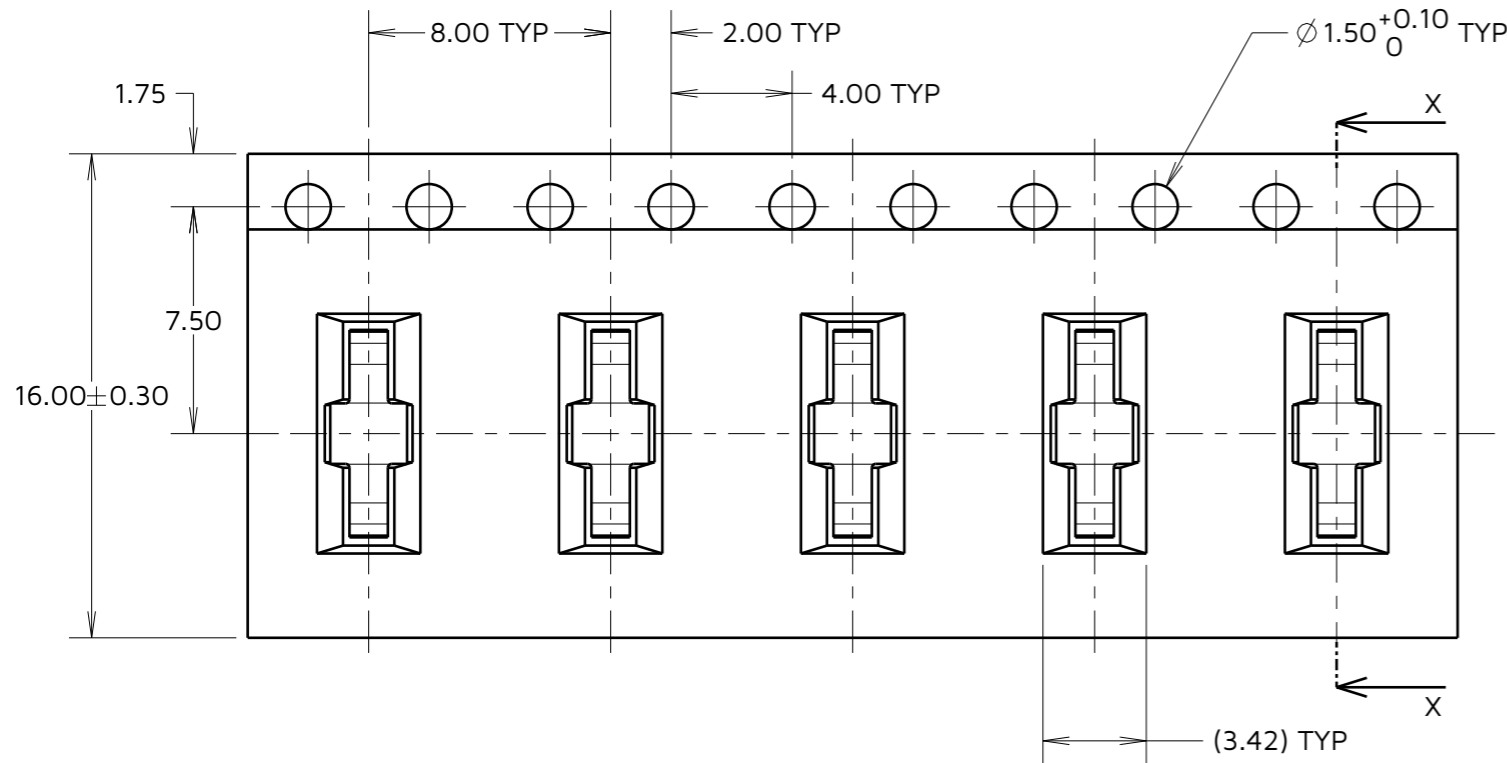
IF IN DOUBT - ASK

©

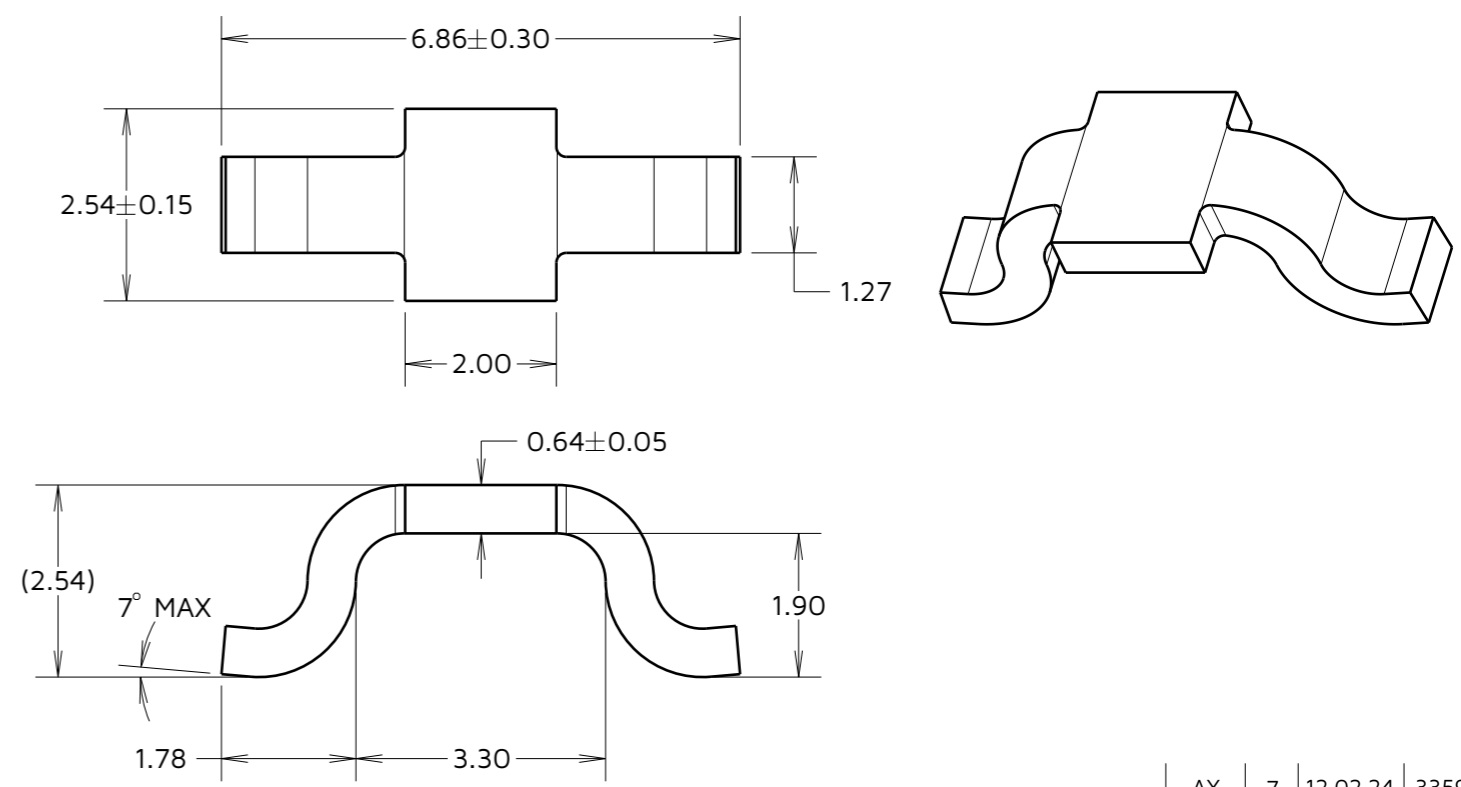
NOT TO SCALE

THIRD ANGLE PROJECTION

ALL DIMENSIONS IN mm



SINGLE COMPONENT DIMENSIONS



COMPONENT SPECIFICATION:
 MATERIAL = CW004A ETP COPPER
 FINISH:
 46 = 3µm 100% TIN OVER NICKEL
 ELECTRICAL:
 CURRENT RATING = 10A (30°C TEMP RISE)
 CONTACT RESISTANCE = 20mΩ MAX
 ENVIRONMENTAL:
 OPERAING TEMPERATURE = -40°C TO +125°C

NOTES:
 1. QUANTITY PER REEL = 2,500.
 2. THIS PRODUCT IS TAPED AND REELED IN ACCORDANCE WITH EIA-481 (ELECTRONIC INDUSTRIES ASSOCIATION).

AY	7	12.02.24	33594
NAME	ISS.	DATE	CN/CO
APPROVED:		A.YEOMANS	
CHECKED:		R.PORTLOCK	
DRAWN:		M. G. PLESTED	
ASSEMBLY DRG:			



TOLERANCES
 X. = ±1mm
 X.X = ±0.50mm
 X.XX = ±0.20mm
 X.XXX = ±0.01mm
 ANGLES = ±5°
 UNLESS STATED

THIS DRAWING AND ANY INFORMATION OR DESCRIPTIVE MATTER SET OUT HEREON ARE CONFIDENTIAL AND COPYRIGHT PROPERTY OF THE HARWIN GROUP AND MUST NOT BE DISCLOSED, LOANED, COPIED OR USED FOR MANUFACTURING, TENDERING OR FOR ANY OTHER PURPOSE WITHOUT THEIR WRITTEN PERMISSION.

MATERIAL:
 SEE ABOVE

TITLE:
**POWER SMT JUMPER LINK
 (TAPE AND REELED)**
 DRAWING NUMBER:
S1731-46R
 SHT 2 OF 2