

Customer Information Sheet

IF IN DOUBT - ASK

©

NOT TO SCALE

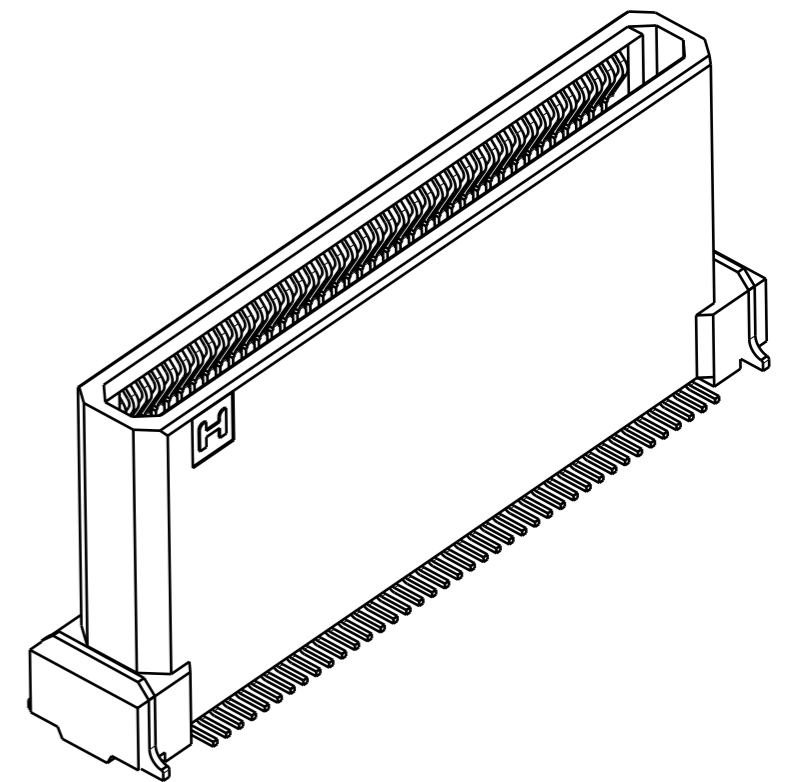
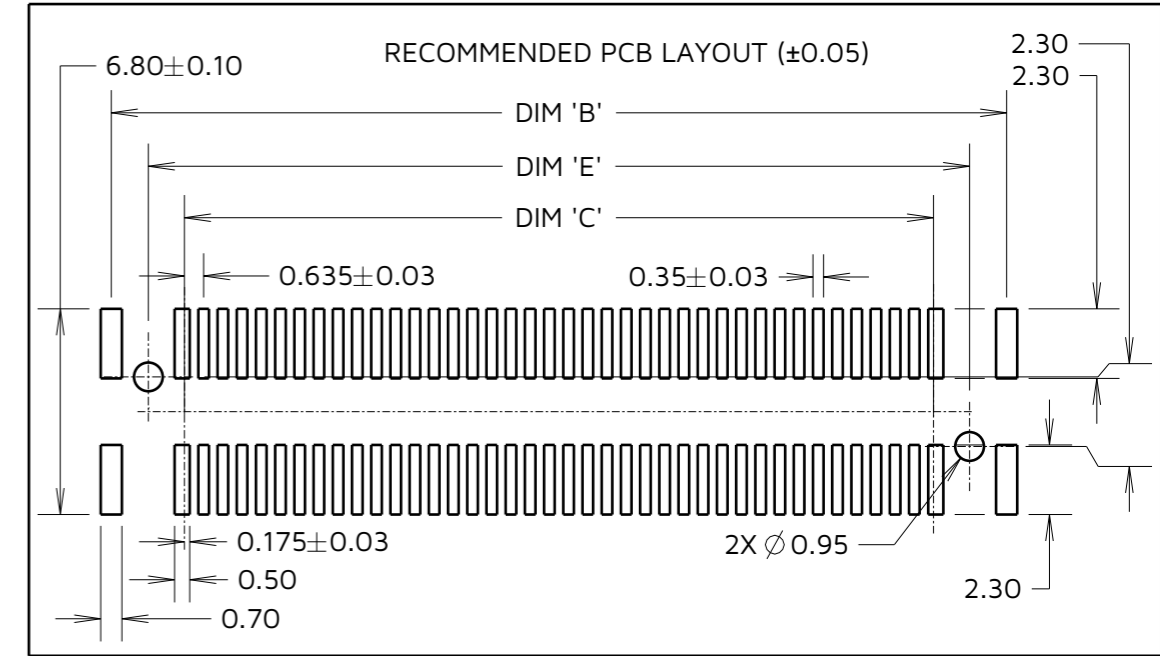
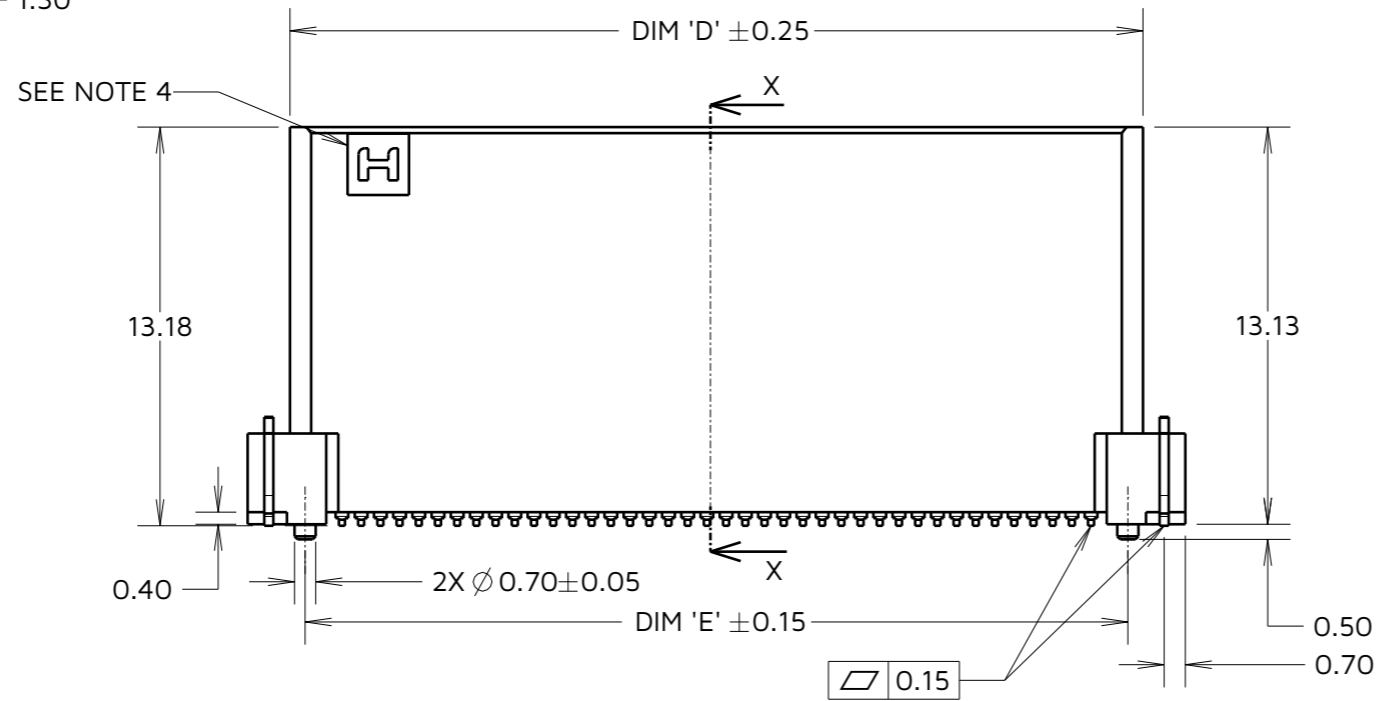
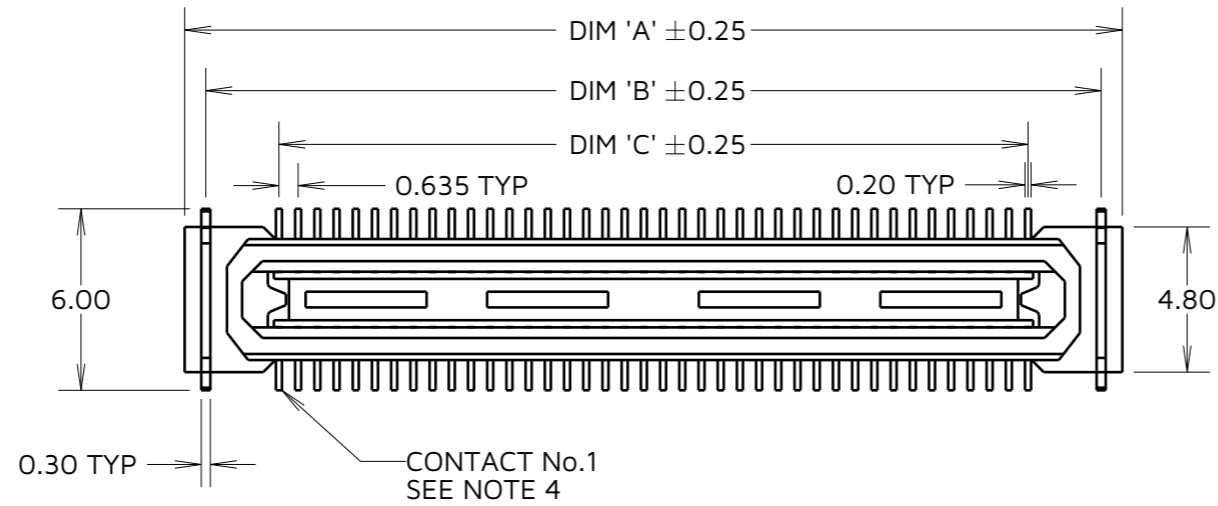
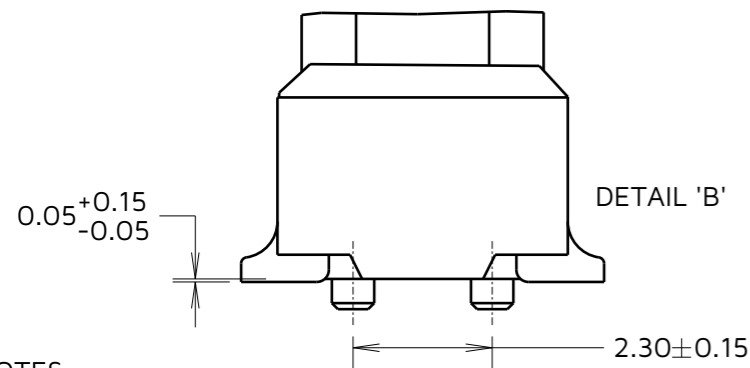
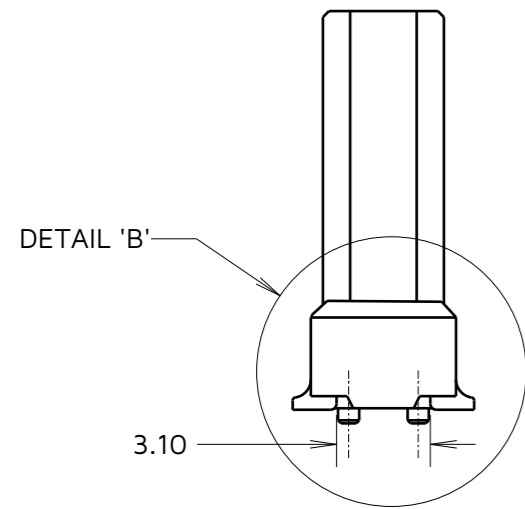
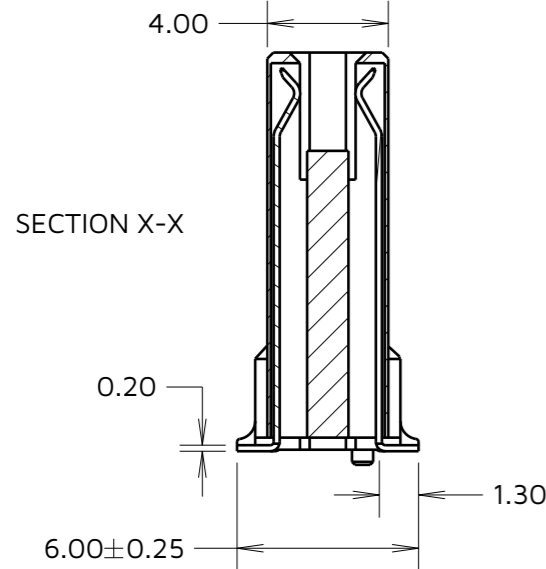
THIRD ANGLE PROJECTION

ALL DIMENSIONS IN mm

ORDER CODE:

F20-102XXX45R

No. OF CONTACTS:
060, 080



- NOTES:
- SEE COMPONENT SPECIFICATION C057XX (LATEST ISSUE) FOR COMPLETE CONNECTOR SPECIFICATIONS.
 - PART SHOWN IS F20-10208045R, SEE ORDER CODE FOR POSSIBLE CONFIGURATIONS.
 - SEE SHEET 4 FOR TAPE & REEL DETAILS.
 - HARWIN LOGO SHOWN IN THIS ORIENTATION FOR REFERENCE ONLY. LOGO IS UNRELATED TO CONTACT No.1, AS CONTACT No.1 WILL ALWAYS BE THIS POSITION.

No. OF CONTACTS	DIM 'A'	DIM 'B'	DIM 'C'	DIM 'D'	DIM 'E'
60	24.65	23.25	18.42	21.85	20.85
80	31.00	29.60	24.77	28.20	27.20

X. = ±0.35mm	X.° = ±5.0°
.X = ±0.30mm	.X° = ±3.0°
.XX = ±0.20mm	.XX° = ±2.0°
.XXX = ±0.10mm	.XXX° = ±1.0°

AB	2	24.02.24	33735
NAME	ISS.	DATE	CN/CO
APPROVED:		R.PORTLOCK	
CHECKED:		A.YEOMANS	
DRAWN:		A.BOXALL	
ASSEMBLY DRG:			

HARWIN

www.harwin.com

TOLERANCES
X. = ±1mm
X.X = ±0.50mm
X.XX = ±0.20mm
X.XXX = ±0.01mm
ANGLES = ±5°
UNLESS STATED

THIS DRAWING AND ANY INFORMATION OR DESCRIPTIVE MATTER SET OUT HEREON ARE CONFIDENTIAL AND COPYRIGHT PROPERTY OF THE HARWIN GROUP AND MUST NOT BE DISCLOSED, LOANED, COPIED OR USED FOR MANUFACTURING, TENDERING OR FOR ANY OTHER PURPOSE WITHOUT THEIR WRITTEN PERMISSION.

MATERIAL:

SEE NOTE 1

TITLE: 0.635mm PITCH FEMALE FLECTO CONNECTOR (13.18mm HEIGHT)

DRAWING NUMBER:
F20-102XXX45R

SHT
3
OF
4

Customer Information Sheet

IF IN DOUBT - ASK

©

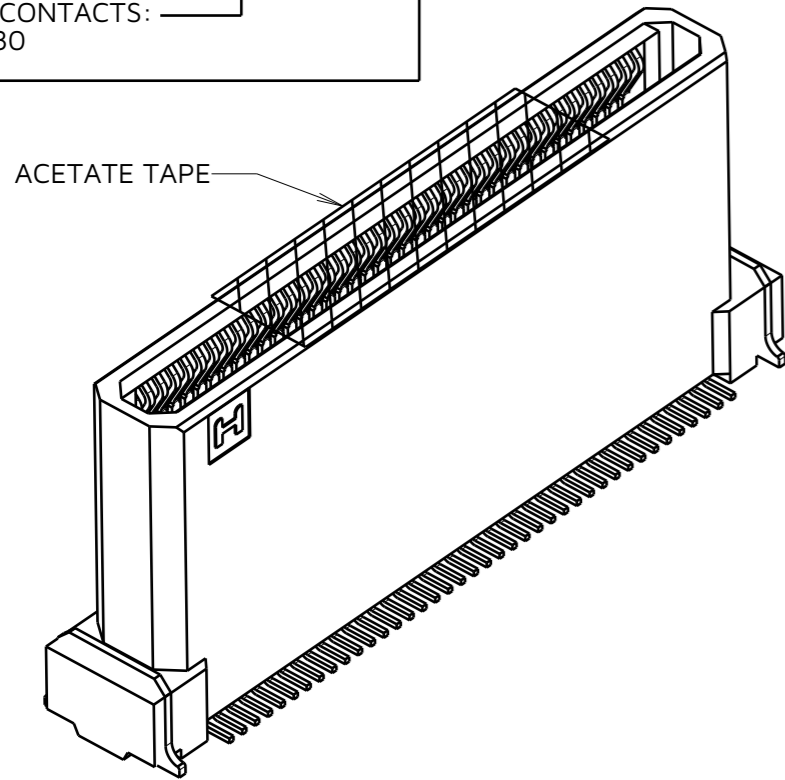
NOT TO SCALE

THIRD ANGLE PROJECTION

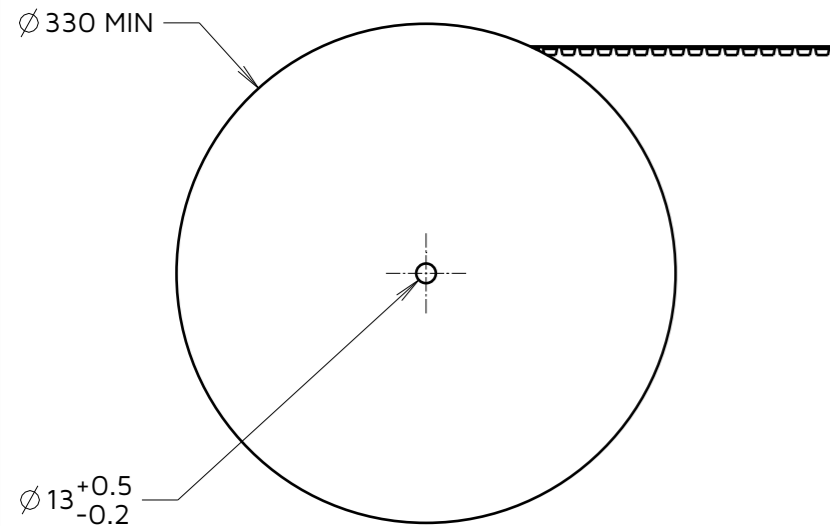
ALL DIMENSIONS IN mm

ORDER CODE:
F20-102XXX45R

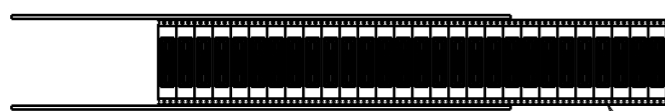
No. OF CONTACTS:
060, 080



ACETATE TAPE



$\varnothing 13^{+0.5}_{-0.2}$



ELONGATED SPROCKET HOLE

REEL DIRECTION



$\varnothing 1.50^{+0.10}_0$ TYP

4.00

16.00

2.00 ± 0.15

1.75

SEE NOTE 9

ACETATE TAPE (15.0)

$1.70^{+0.15}_{-0.05}$ TYP

$1.50^{+0.10}_0$ TYP

ELONGATED SPROCKET HOLES

ACETATE TAPE (4.2)

DIM 'A' ± 0.15

DIM 'B' ± 0.10

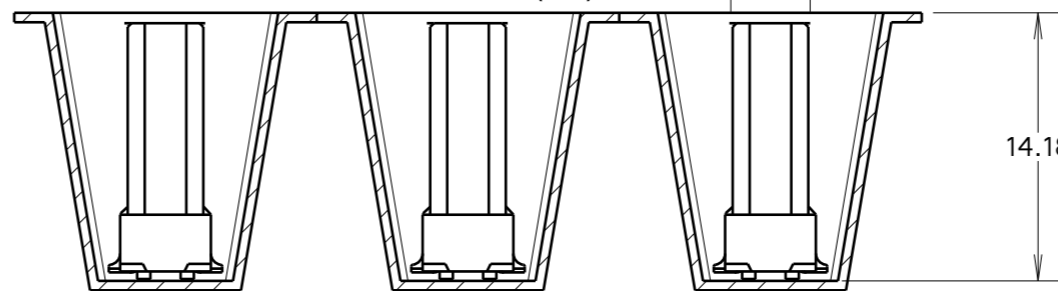
DIM 'C' ± 0.30

CONTACT No.1

0.50 ± 0.05

SECTION X-X

SEE NOTE 9



SECTION Y-Y

14.18

No. OF CONTACTS	DIM 'A'	DIM 'B'	DIM 'C'
60	20.20	40.40	44.00
80	26.20	52.40	56.00

AB	2	24.02.24	33735
NAME	ISS.	DATE	CN/CO
APPROVED: R.PORTLOCK			
CHECKED: A.YEOMANS			
DRAWN: A.BOXALL			
ASSEMBLY DRG:			

NOTES:

- PRODUCT TAPE AND REELED IN ACCORDANCE WITH EIA-481 STANDARD.
- CARRIER TAPE MATERIAL: BLACK POLYSTYRENE.
- COMPONENTS PER REEL: 250PCS
- TAPE POCKETS MAY DIFFER VISUALLY FROM DRAWING.
- POSITION OF HARWIN LOGO IS NOT CRITICAL AND MAY BE IN EITHER MARKED POSITION. LOGO DOES NOT AFFECT CONTACT No.1.

HARWIN

www.harwin.com

TOLERANCES

- X. = ± 1 mm
- X.X = ± 0.50 mm
- X.XX = ± 0.20 mm
- X.XXX = ± 0.01 mm
- ANGLES = $\pm 5^\circ$
- UNLESS STATED

THIS DRAWING AND ANY INFORMATION OR DESCRIPTIVE MATTER SET OUT HEREON ARE CONFIDENTIAL AND COPYRIGHT PROPERTY OF THE HARWIN GROUP AND MUST NOT BE DISCLOSED, LOANED, COPIED OR USED FOR MANUFACTURING, TENDERING OR FOR ANY OTHER PURPOSE WITHOUT THEIR WRITTEN PERMISSION.

MATERIAL:

SEE NOTE 6

TITLE: 0.635mm PITCH FEMALE FLECTO CONNECTOR (13.18mm HEIGHT)

DRAWING NUMBER:
F20-102XXX45R