

# Customer Information Sheet

DRAWING No.: M80-FIXXXX-XXX-L

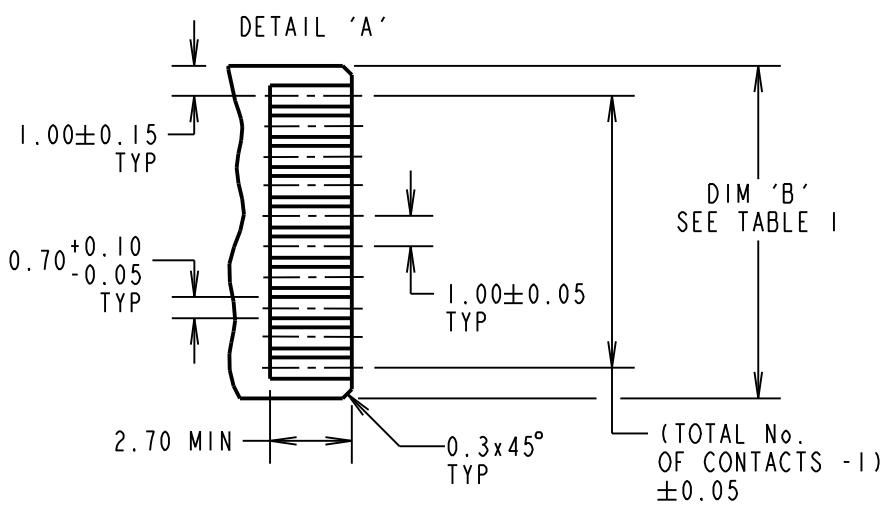
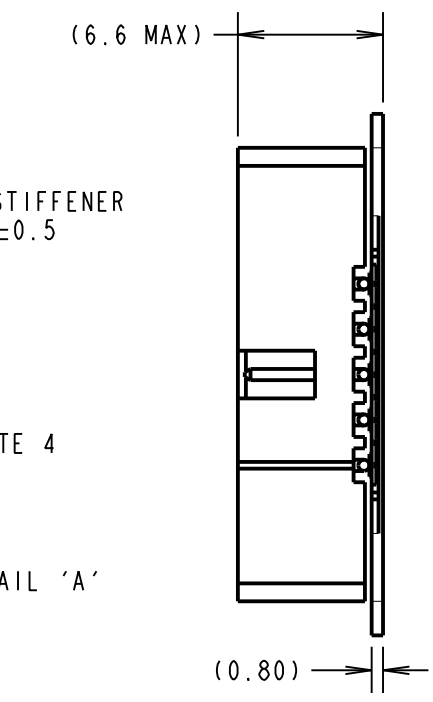
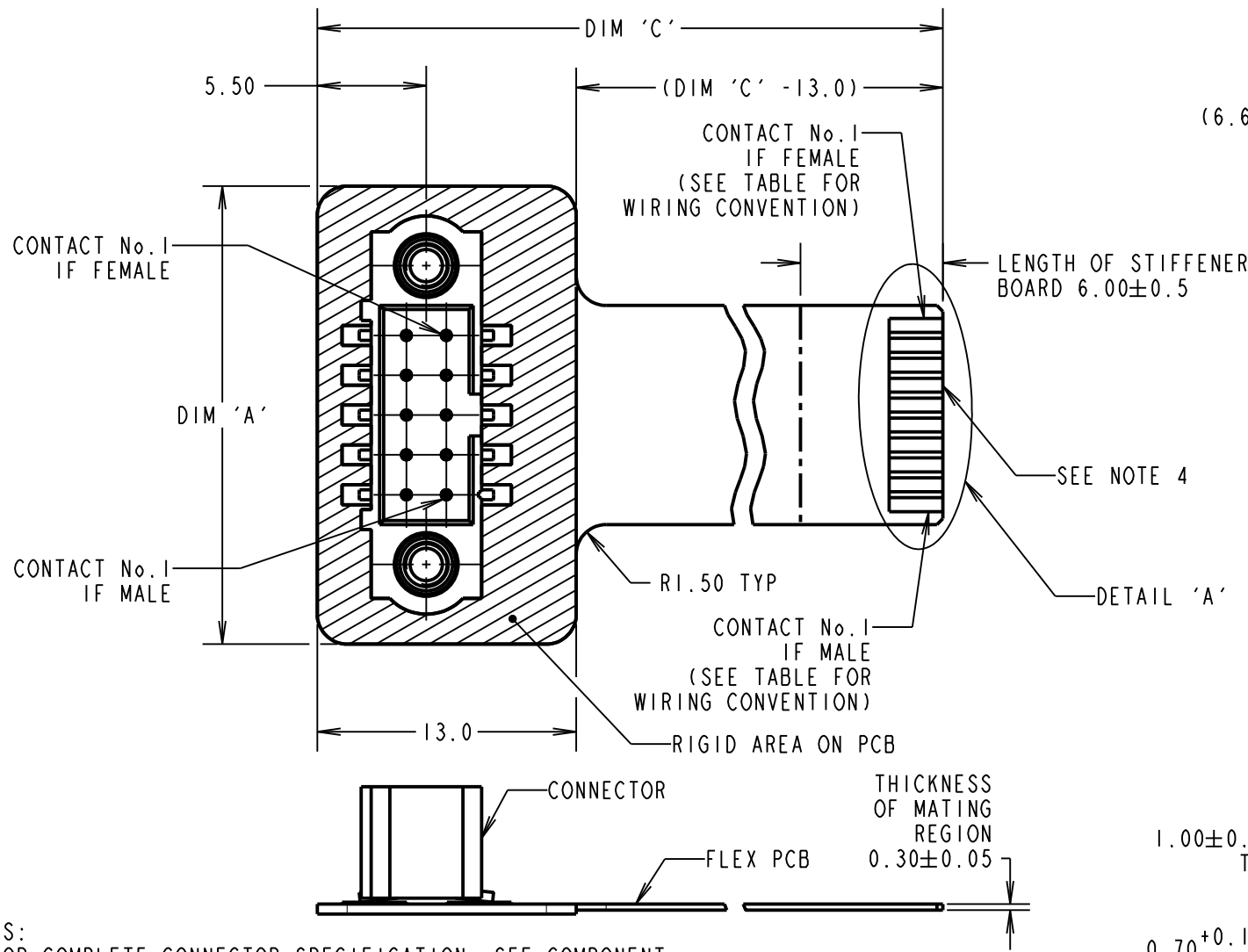
IF IN DOUBT - ASK

©

NOT TO SCALE

THIRD ANGLE PROJECTION

ALL DIMENSIONS IN mm



ORDER CODE: **M80-FIXXXX-XXX-L**

CONNECTOR PART No.: \_\_\_\_\_  
 402 = M80-402XX42  
 422 = M80-422XX42  
 502 = M80-502XX42  
 512 = M80-512XX42

DIM 'C' (PCB LENGTH):  
 999 = 999mm MAX.

TOTAL No. OF CONTACTS: \_\_\_\_\_  
 06, 10, 12, 16, 20, 26, 34, 50.

TABLE 2

ZIF PIN OUT No.	CONNECTOR PIN OUT No.
1	1
2	6
3	2
4	7
5	3
6	8
7	4
8	9
9	5
10	10

BASED ON M80-F150210-100-L SHOWN. CONVENTION CONTINUES AS FOLLOWS:

ALL FIRST ROW CONTACTS:  
 CONTACT X TO CONTACT ((TOTAL/2)+X)  
 (WHERE X IS CONTACT POSITION)

ALL SECOND ROW CONTACTS:  
 CONTACT Y TO CONTACT (Y-(TOTAL/2))  
 (WHERE Y IS CONTACT POSITION)

'FIRST ROW' POSITIONS ARE ON CONTACT No. 1 ROW

'SECOND ROW' POSITIONS ARE ON ROW OPPOSITE CONTACT No. 1

- NOTES:
- FOR COMPLETE CONNECTOR SPECIFICATION, SEE COMPONENT SPECIFICATION C005XX (LATEST ISSUE).
  - CONNECTOR SHOWN FOR REFERENCE ONLY. SEE TABLE AND ORDER CODE FOR POSSIBLE CONFIGURATIONS.
  - PCB ASSEMBLIES PACKED INDIVIDUALLY IN ANTI-STATIC BAGS.
  - 1.00mm PITCH CONNECTION DESIGNED FOR USE WITH ZIF/FPC/FFC.
  - JACKSCREWS MUST BE FASTENED TO  $21 \pm 2$  cMn (AS PER C005XX).

FLEX PCB SPECIFICATION:

- BOARD CONSTRUCTION:  
 SINGLE LAYER FLEXIBLE PCB  
 50µm BASE POLYIMIDE  
 35µm (1oz) COPPER CLAD TO IPC-4204/1  
 50µm BONDED COVERLAY TO IPC-4203/1  
 0.8mm HTG FR4 TO IPC-4101/126 LOCALLY RIGIDISED IN CONNECTOR AREAS
- SURFACE FINISH:  
 ENIG TO IPC-4552 ON EXPOSED COPPER
- IPC CLASSIFICATION:  
 BARE CIRCUIT - IPC-A-600/IPC-6013 CLASS 3  
 ASSEMBLY - IPC-A-610/J-STD-001 CLASS 3
- MECHANICAL PROPERTIES:  
 NOMINAL FLEX THICKNESS = 0.185mm  
 MINIMUM STATIC BEND RADIUS (IPC-2223) = 1.85mm  
 SUITABLE FOR DYNAMIC OPERATION ON BEND RADII ABOVE 3.70mm
- ELECTRICAL PROPERTIES:  
 MAX. CURRENT PER TRACK = 1.0A  
 INSULATION RESISTANCE =  $1G\Omega$  MIN  
 VOLTAGE PROOF (1013mbar, SEA LEVEL) = 1200V DC OR AC PEAK

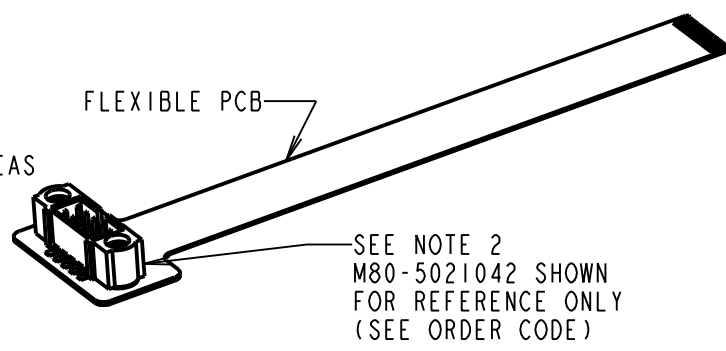


TABLE 1

DIMENSION	CALCULATION
DIM 'A'	TOTAL No. OF CONTACTS + 13
DIM 'B'	(TOTAL No. OF CONTACTS + 1) + 0.10/-0.05
DIM 'C'	OVERALL PCB LENGTH (SEE ORDER CODE)

EXAMPLE:  
 100mm FLEX PCB WITH 10 CONTACT CONNECTOR (M80-5021042)

PART NUMBER = M80-F150210-100-L  
 DIM 'A' = 23mm DIM 'B' = 11mm DIM 'C' = 100mm

RTP	5	06.05.21	30532
NAME	ISS.	DATE	CN/CO
APPROVED: R.PORTLOCK			
CHECKED: M.RUDKIN			
DRAWN: R.PORTLOCK			
CUSTOMER REF.:			
ASSEMBLY DRG:			

**HARWIN**

www.harwin.com  
 technical@harwin.com

THIS DRAWING AND ANY INFORMATION OR DESCRIPTIVE MATTER SET OUT HEREON ARE CONFIDENTIAL AND COPYRIGHT PROPERTY OF THE HARWIN GROUP AND MUST NOT BE DISCLOSED, LOANED, COPIED OR USED FOR MANUFACTURING, TENDERING OR FOR ANY OTHER PURPOSE WITHOUT THEIR WRITTEN PERMISSION.

TOLERANCES  
 X. = ±1mm  
 X.X = ±0.50mm  
 X.XX = ±0.20mm  
 X.XXX = ±0.01mm

ANGLES = ±5°  
 UNLESS STATED

MATERIAL:  
 SEE ABOVE

FINISH: SEE ABOVE

S/AREA: mm<sup>2</sup>

TITLE:  
 DATAMATE FLEX PCB ASSEMBLY

DRAWING NUMBER:  
**M80-FIXXXX-XXX-L**

SHT  
 2 OF 2