

Customer Information Sheet

DRAWING No.: G125-0200005

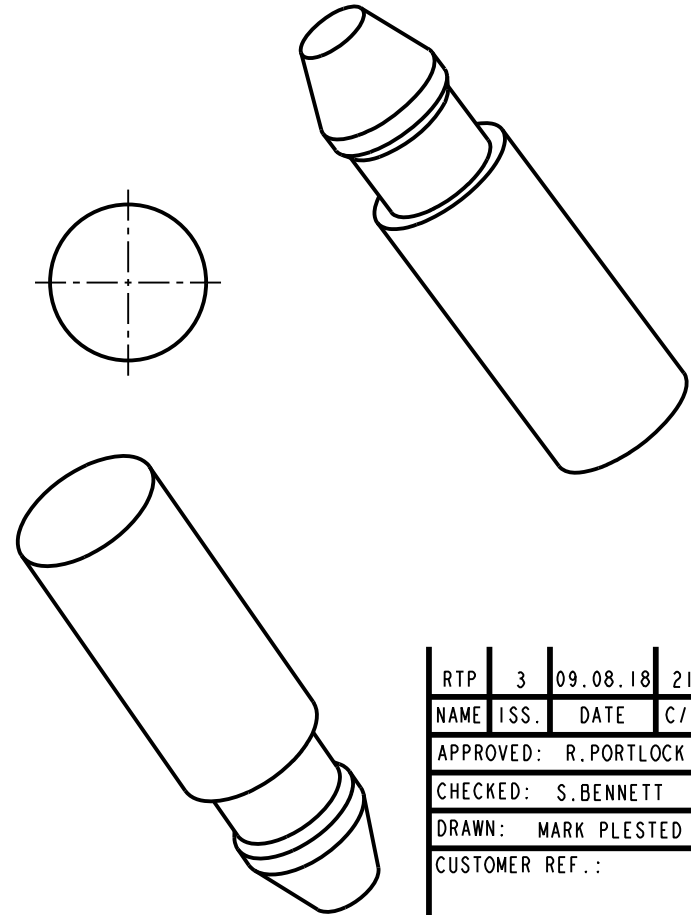
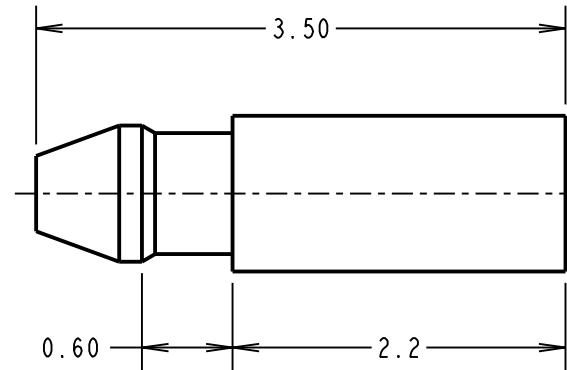
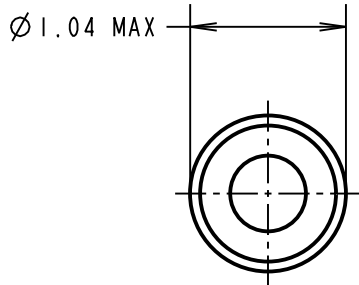
IF IN DOUBT - ASK

©

NOT TO SCALE

THIRD ANGLE PROJECTION

ALL DIMENSIONS IN mm



PATENT PENDING - UK 1205109.0

NOTES:

1. POLARISING PLUG FOR USE WITH GECKO SERIES MALE AND FEMALE CABLE CONNECTOR HOUSINGS: G125-204XX96XX, G125-224XX96XX, G125-304XX96XX AND G125-324XX96XX.
2. PLUG INSERTION TOOL = Z125-902, FOR INSERTION AND WITHDRAWAL INSTRUCTIONS AND RECOMMENDED TOOLING SEE INSTRUCTION SHEET IS-38.
3. PACKING: 100 PER BAG.
4. CONTACT MUST BE REMOVED FROM THE CORRESPONDING POSITION IN THE MATING CONNECTOR, OR USE THIS PLUG IN ITS PLACE.

RTP	3	09.08.18	21410
NAME	ISS.	DATE	C/NOTE
APPROVED: R.PORTLOCK			
CHECKED: S.BENNETT			
DRAWN: MARK PLESTED			
CUSTOMER REF.:			
ASSEMBLY DRG:			

HARWIN

www.harwin.com
technical@harwin.com

THIS DRAWING AND ANY INFORMATION OR DESCRIPTIVE MATTER SET OUT HEREON ARE CONFIDENTIAL AND COPYRIGHT PROPERTY OF THE HARWIN GROUP AND MUST NOT BE DISCLOSED, LOANED, COPIED OR USED FOR MANUFACTURING, TENDERING OR FOR ANY OTHER PURPOSE WITHOUT THEIR WRITTEN PERMISSION.

TOLERANCES
 X. = ±1mm
 X.X = ±0.50mm
 X.XX = ±0.10mm
 X.XXX = ±0.01mm
 ANGLES = ±5°
 UNLESS STATED

MATERIAL:
 BRASS CW606N TO
 BS EN 12164

FINISH: 0.20-0.30µm GOLD
 S/AREA: mm²

TITLE:
 GECKO SERIES POLARISING PLUG
 FOR MALE/FEMALE CABLE HOUSING

DRAWING NUMBER:
G125-02000XX

SHT
 2 OF 2