

Kona Specification

KONA

Materials

Housings:	Glass-filled thermoplastic UL94V-0
Contacts:	Beryllium Copper
Finish:	Gold (Nickel on Latching Collar)

Electrical

Current:	60A max per contact
Working voltage:	1,500V DC or AC _{peak}
Voltage proof	
At sea level 1013mbar:	3,000V AC for 1 minute
At altitude 44mbar:	500V AC for 1 minute
Contact resistance:	2mΩ max
Insulation resistance:	10GΩ min at 1,000V

Mechanical

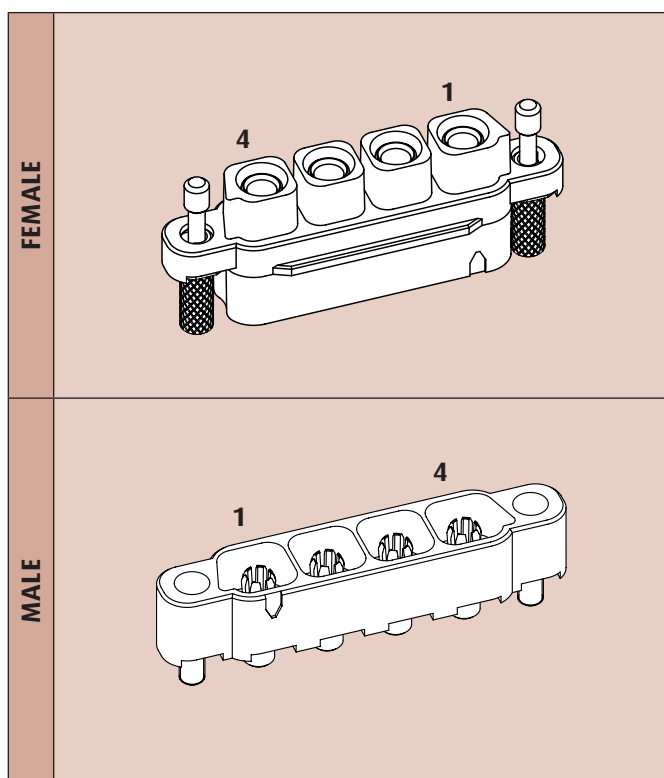
Durability:	250 operations
Insertion force (max):	0.8N per contact
Initial:	50N per contact
After conditioning:	70N per contact
Withdrawal force (min):	5N per contact

Environmental

Operational temperature:	-65°C to +150°C
*Vibration sensitivity:	10Hz to 2000Hz, 1.52mm, 196m/s ² (20G), duration 12 hours
*Shock sensitivity:	981m/s ² (100G) for 6ms

*Tested with connectors with screw-locks

Pin Numbering



Mating Profiles

