



# Customer Information Sheet

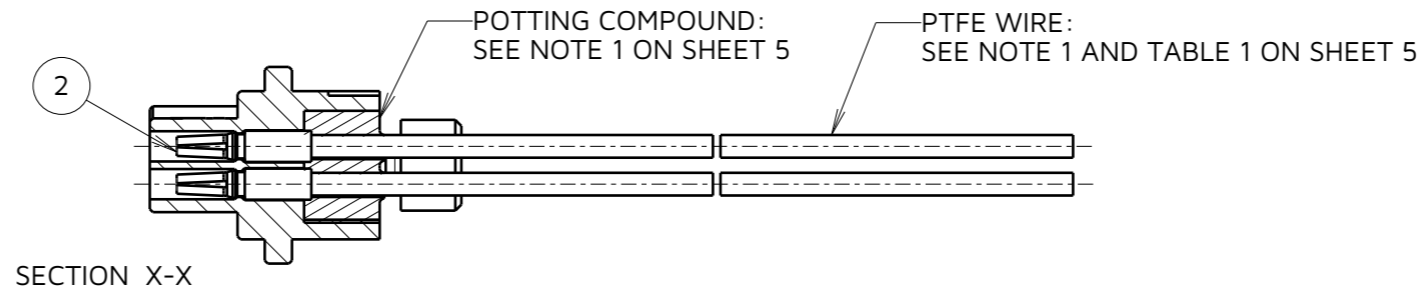
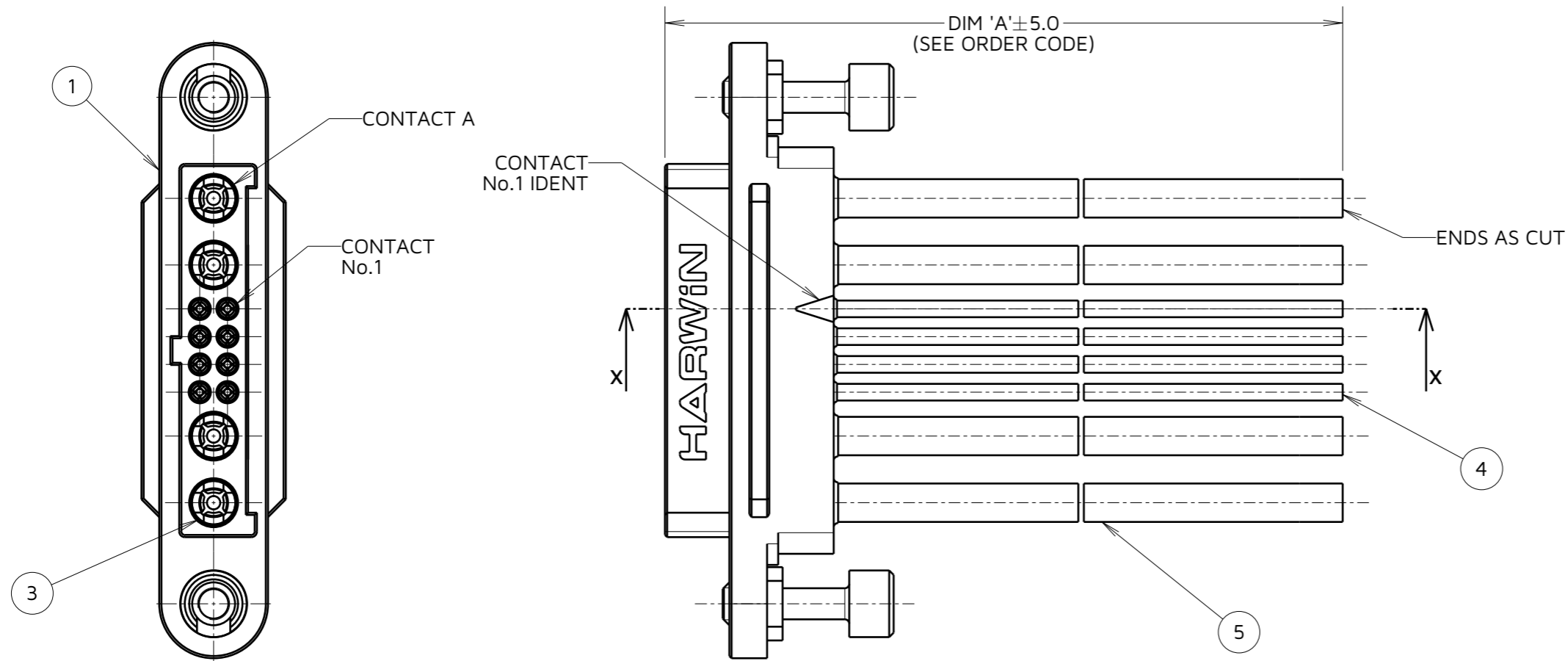
IF IN DOUBT - ASK

©

NOT TO SCALE

THIRD ANGLE PROJECTION

ALL DIMENSIONS IN mm



EXAMPLE SHOWN: FEMALE  
G125-FC108F1-2B2B-XXXXL

**ORDER CODE:**  
**G125-XCX08XX-XXXX-XXXXL**

CONNECTOR: ————  
F = FEMALE  
M = MALE

SIGNAL WIRE GAUGE: ————  
1 = 26AWG  
2 = 28AWG

CONNECTOR FIXING STYLE: ————  
F1/F2/F3/F5/M1/M2/M3/M5

DIM 'A' LENGTH:  
0060 = 60mm MIN  
9999 = 9999mm MAX

POWER CONTACTS:  
1B1B/1D1D = 2 POWER CONTACTS  
2B2B/2D2D = 4 POWER CONTACTS

|               |      |            |       |
|---------------|------|------------|-------|
| RTP           | 1    | 31.05.23   | 32231 |
| NAME          | ISS. | DATE       | CN/CO |
| APPROVED:     |      | A.BOXALL   |       |
| CHECKED:      |      | M.RUDKIN   |       |
| DRAWN:        |      | R.PORTLOCK |       |
| ASSEMBLY DRG: |      |            |       |

NOTES:  
6. FOR POSSIBLE COMBINATIONS, SEE BOM TABLE ON SHEET 5.  
7. ASSEMBLY G125-FC108F1-2B2B-XXXXL SHOWN FOR ILLUSTRATIVE PURPOSES ONLY. SEE ORDER CODE FOR PART NUMBER.

**HARWIN**

www.harwin.com

TOLERANCES  
X. = ±1mm  
X.X = ±0.50mm  
X.XX = ±0.20mm  
X.XXX = ±0.01mm  
ANGLES = ±5°  
UNLESS STATED

THIS DRAWING AND ANY INFORMATION OR DESCRIPTIVE MATTER SET OUT HEREON ARE CONFIDENTIAL AND COPYRIGHT PROPERTY OF THE HARWIN GROUP AND MUST NOT BE DISCLOSED, LOANED, COPIED OR USED FOR MANUFACTURING, TENDERING OR FOR ANY OTHER PURPOSE WITHOUT THEIR WRITTEN PERMISSION.

MATERIAL:  
SEE SHEET 5

TITLE:  
**GECKO MT  
CABLE ASSEMBLY**

DRAWING NUMBER:  
**G125-XCX08XX-XXXX-XXXXL**

SHT  
6 OF 7

# Customer Information Sheet

IF IN DOUBT - ASK



NOT TO SCALE

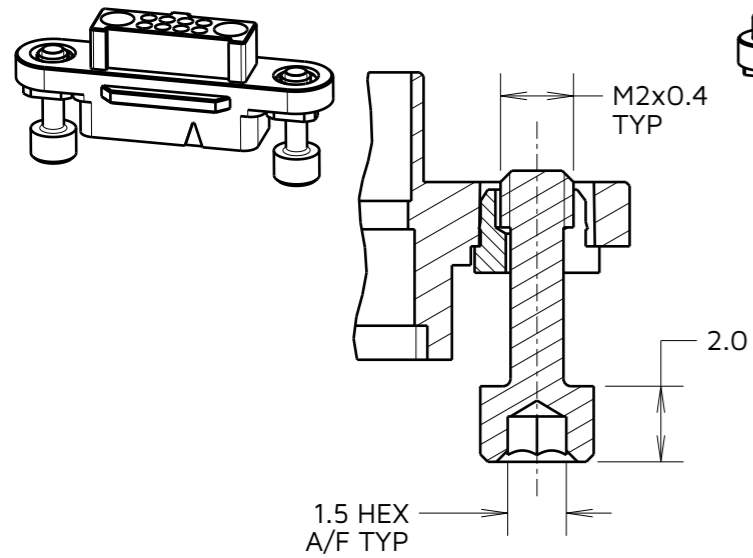
THIRD ANGLE PROJECTION

ALL DIMENSIONS IN mm

## FIXING STYLES

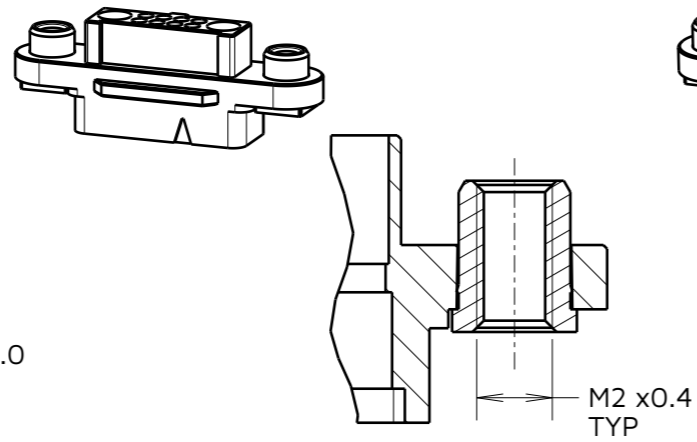
F1

EXAMPLE: G125-22496F1-01-08-01



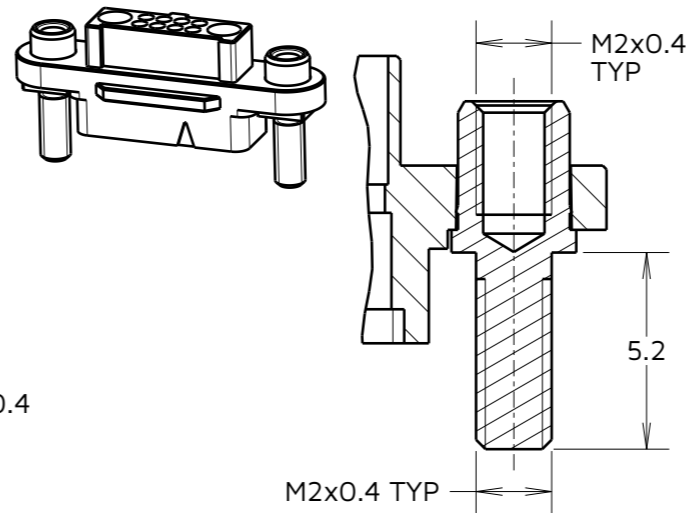
F2

EXAMPLE: G125-22496F2-01-08-01



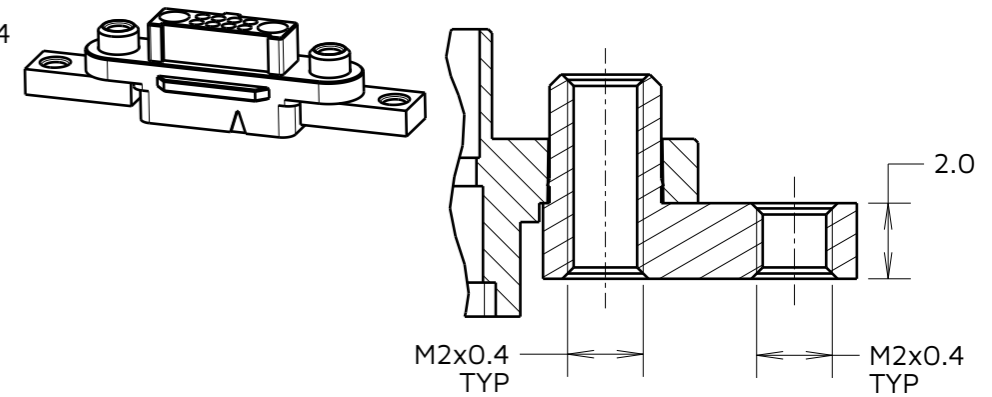
F3

EXAMPLE: G125-22496F3-01-08-01



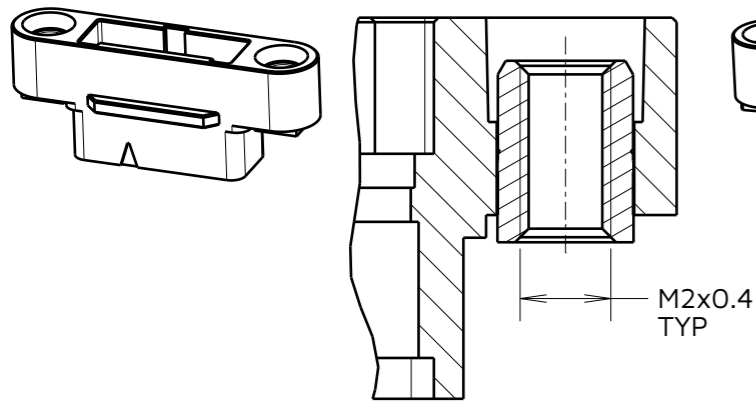
F5

EXAMPLE: G125-22496F5-01-08-01



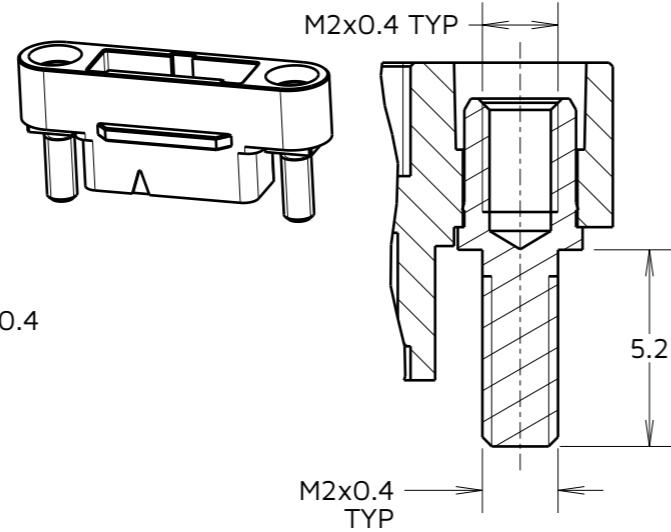
M1

EXAMPLE: G125-32496M1-01-08-01



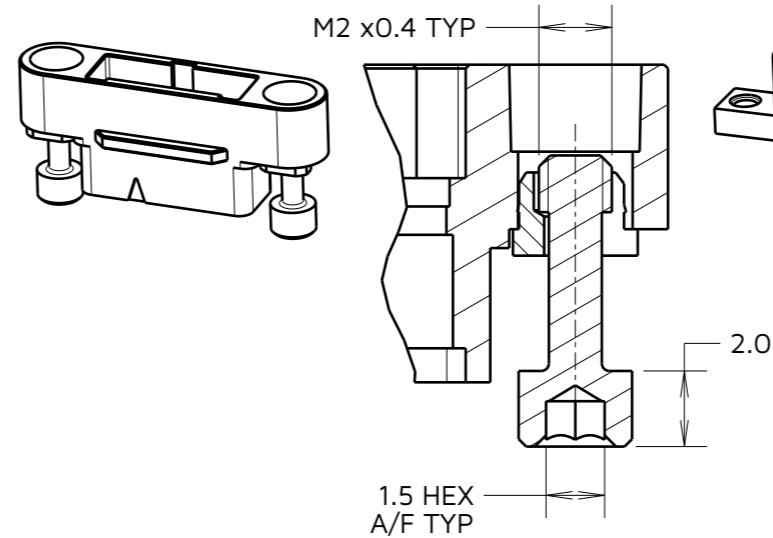
M2

EXAMPLE: G125-32496M2-01-08-01



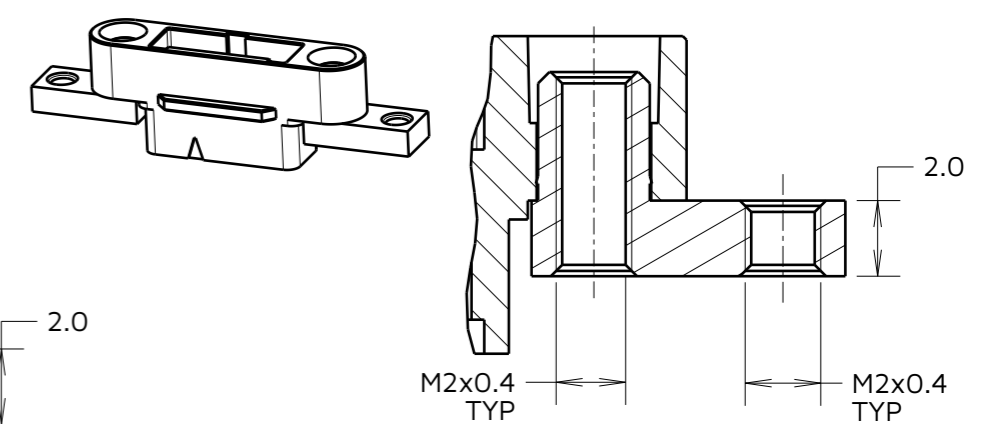
M3

EXAMPLE: G125-32496M3-01-08-01



M5

EXAMPLE: G125-32496M5-01-08-01



NOTES:  
8. SEE BILL OF MATERIALS TABLE ON SHEET 5 AND ORDER CODE FOR FIXING IDENTIFICATION.

**HARWIN**

www.harwin.com

TOLERANCES  
X. = ±1mm  
X.X = ±0.50mm  
X.XX = ±0.20mm  
X.XXX = ±0.01mm  
ANGLES = ±5°  
UNLESS STATED

THIS DRAWING AND ANY INFORMATION OR DESCRIPTIVE MATTER SET OUT HEREON ARE CONFIDENTIAL AND COPYRIGHT PROPERTY OF THE HARWIN GROUP AND MUST NOT BE DISCLOSED, LOANED, COPIED OR USED FOR MANUFACTURING, TENDERING OR FOR ANY OTHER PURPOSE WITHOUT THEIR WRITTEN PERMISSION.

MATERIAL:  
SEE SHEET 5

TITLE:  
GECKO MT  
CABLE ASSEMBLY

DRAWING NUMBER:  
G125-XCX08XX-XXXX-XXXXL

SHT  
7 OF 7

|               |      |            |       |
|---------------|------|------------|-------|
| RTP           | 1    | 31.05.23   | 32231 |
| NAME          | ISS. | DATE       | CN/CO |
| APPROVED:     |      | A.BOXALL   |       |
| CHECKED:      |      | M.RUDKIN   |       |
| DRAWN:        |      | R.PORTLOCK |       |
| ASSEMBLY DRG: |      |            |       |