

Customer Information Sheet

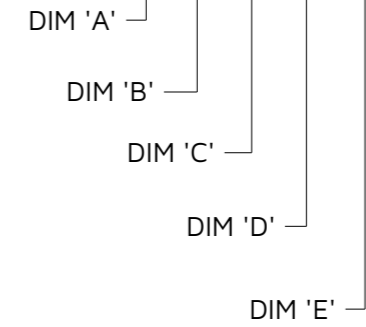
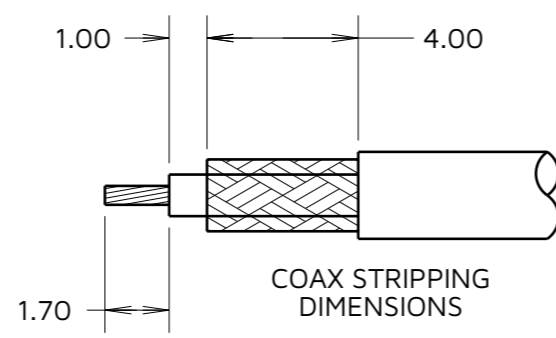
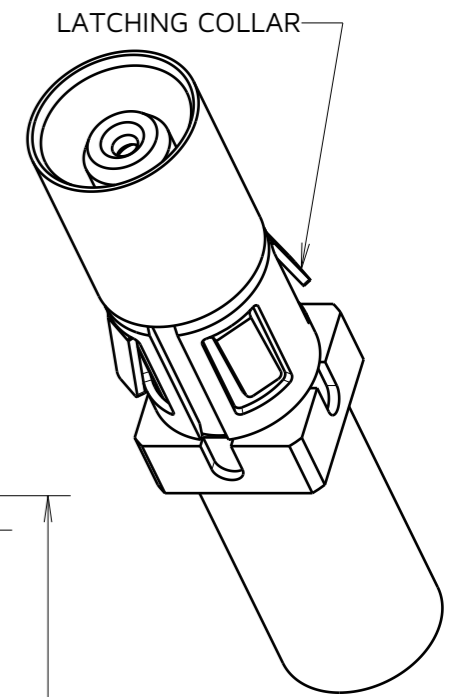
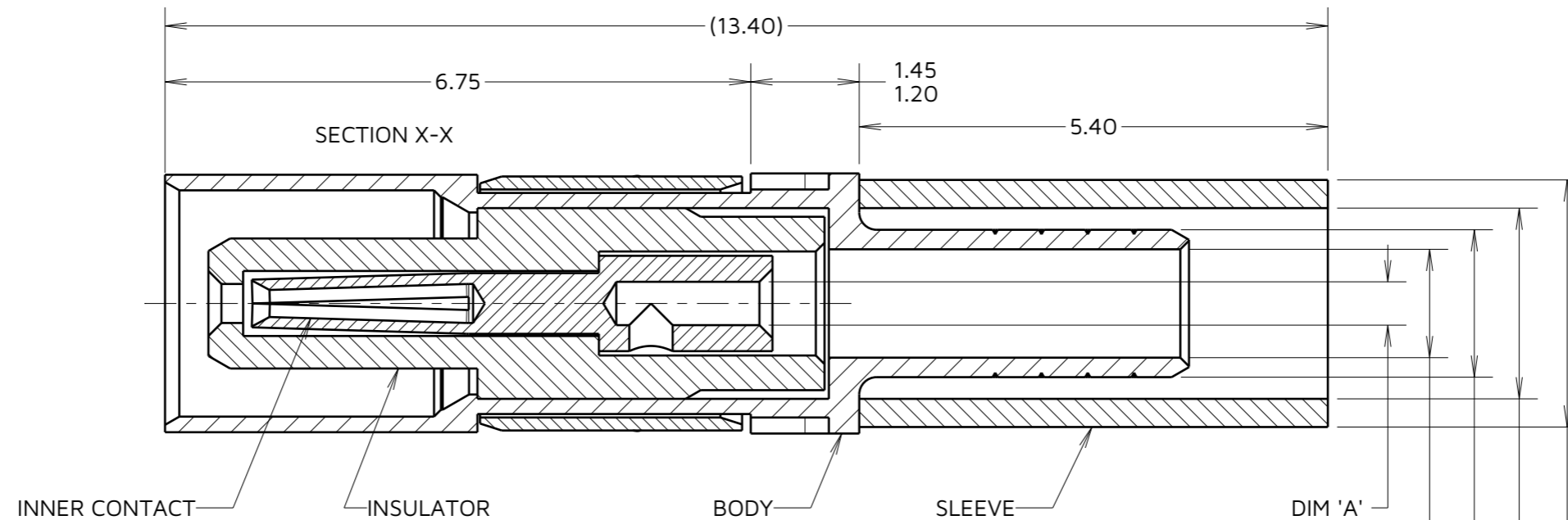
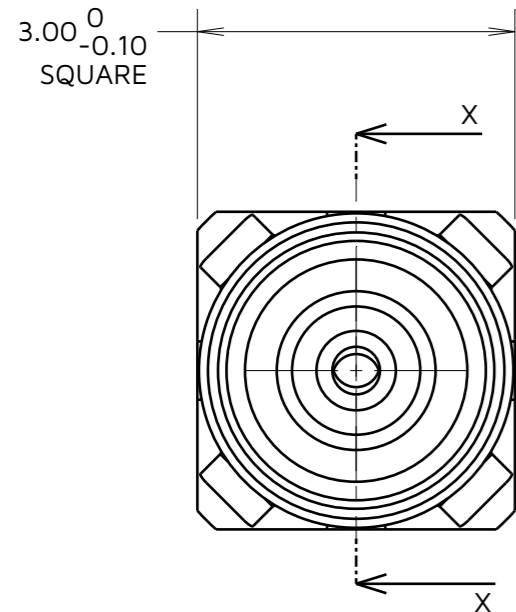
IF IN DOUBT - ASK

©

NOT TO SCALE

THIRD ANGLE PROJECTION

ALL DIMENSIONS IN mm



NOTES:

- CONNECTOR COMES SUPPLIED AS A KIT OF PARTS: BODY, INSULATOR, AND LATCHING COLLAR ARE PRE-ASSEMBLED, SLEEVE AND INNER CONTACT ARE SEPARATE.
- RECOMMENDED HAND CRIMP TOOL FOR INNER CONTACT = Z80-292 WITH POSITIONER Z80-291. RECOMMENDED HAND CRIMP TOOL AND DIE SET FOR SLEEVE = Z80-293.
- CONTACT EXTRACTION TOOL = Z80-290
- FOR FULL SPECIFICATION SEE COMPONENT SPECIFICATION C005XX (LATEST ISSUE).

PART No.	CABLE DIAMETER (TYPE)	DIM 'A'	DIM 'B'	DIM 'C'	DIM 'D'	DIM 'E'
M80-305	∅ 2.0mm (RG178)	∅ 0.50 ±0.05	∅ 1.25	∅ 1.70	∅ 2.20	∅ 2.85
M80-306	∅ 2.4mm (PTFE CELLULAR)	∅ 0.35 +0.05/-0	∅ 1.25	∅ 1.70	∅ 2.70	∅ 3.20
M80-307	∅ 2.7mm (RG174, 179, 316)	∅ 0.60 +0.06/-0	∅ 1.75	∅ 2.35	∅ 2.85	∅ 3.50

RTP	10	05.10.23	33105
NAME	ISS.	DATE	CN/CO
APPROVED: R.PORTLOCK			
CHECKED: A.BOXALL			
DRAWN: W. J. BOURNE			
ASSEMBLY DRG:			

HARWIN

www.harwin.com

TOLERANCES
 X. = ±1mm
 X.X = ±0.50mm
 X.XX = ±0.20mm
 X.XXX = ±0.01mm
 ANGLES = ±5°
 UNLESS STATED

THIS DRAWING AND ANY INFORMATION OR DESCRIPTIVE MATTER SET OUT HEREON ARE CONFIDENTIAL AND COPYRIGHT PROPERTY OF THE HARWIN GROUP AND MUST NOT BE DISCLOSED, LOANED, COPIED OR USED FOR MANUFACTURING, TENDERING OR FOR ANY OTHER PURPOSE WITHOUT THEIR WRITTEN PERMISSION.

MATERIAL:
 COPPER ALLOY WITH PTFE INSULATOR

TITLE: DATAMATE MIX-TEK COAX CONTACT FEMALE STRAIGHT CRIMP

DRAWING NUMBER: M80-305 TO M80-307

SHT 2 OF 2