

Customer Information Sheet

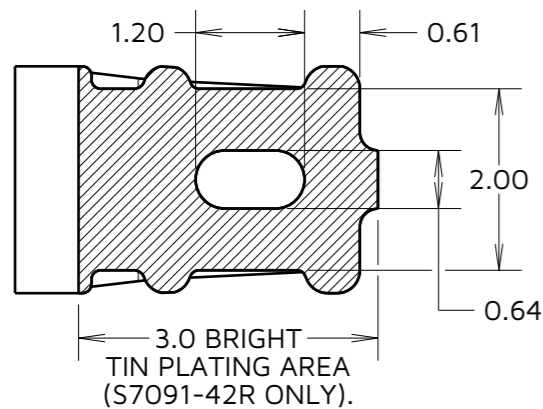
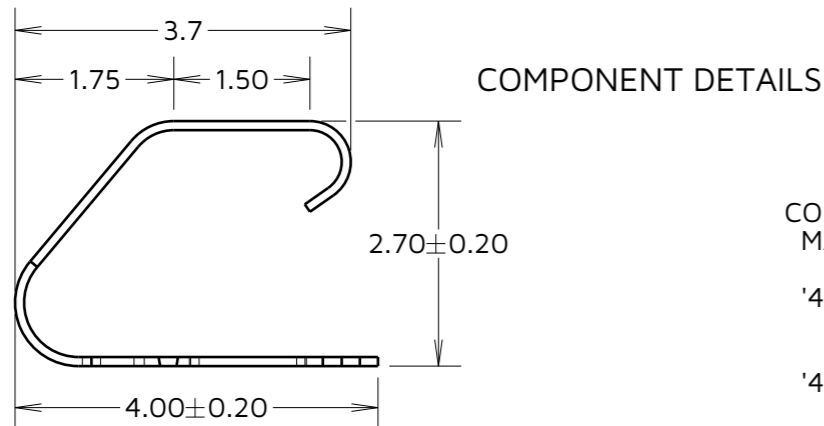
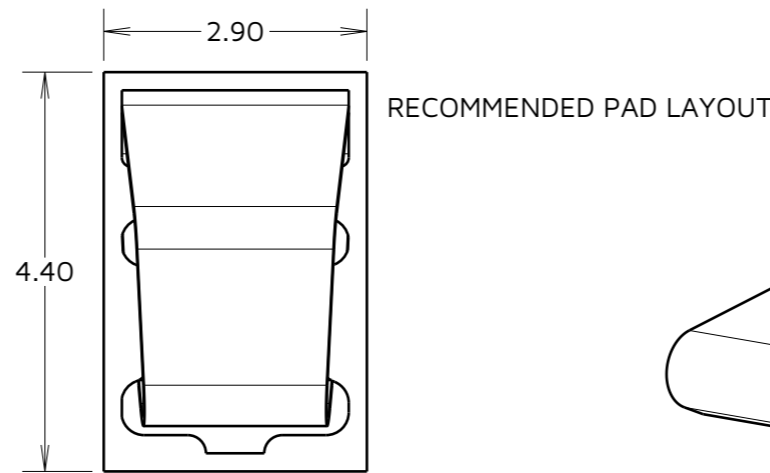
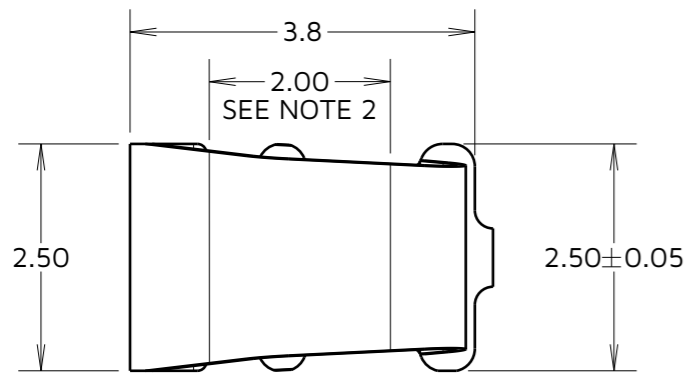
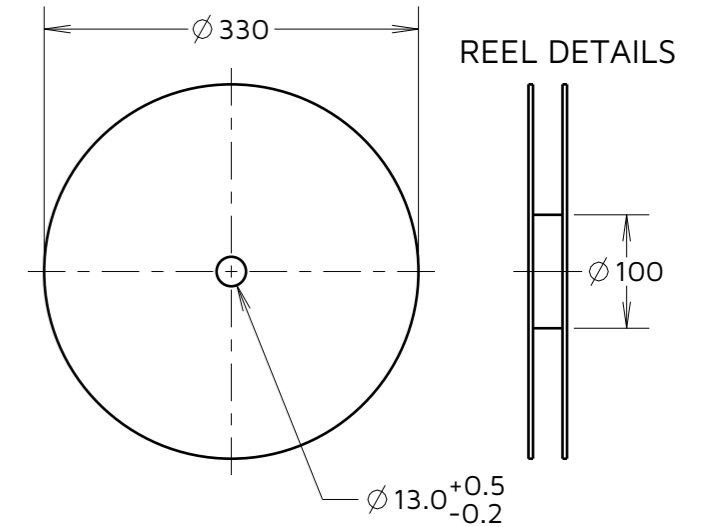
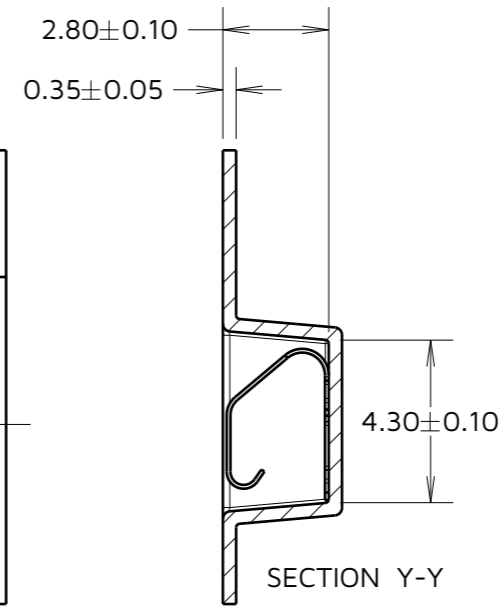
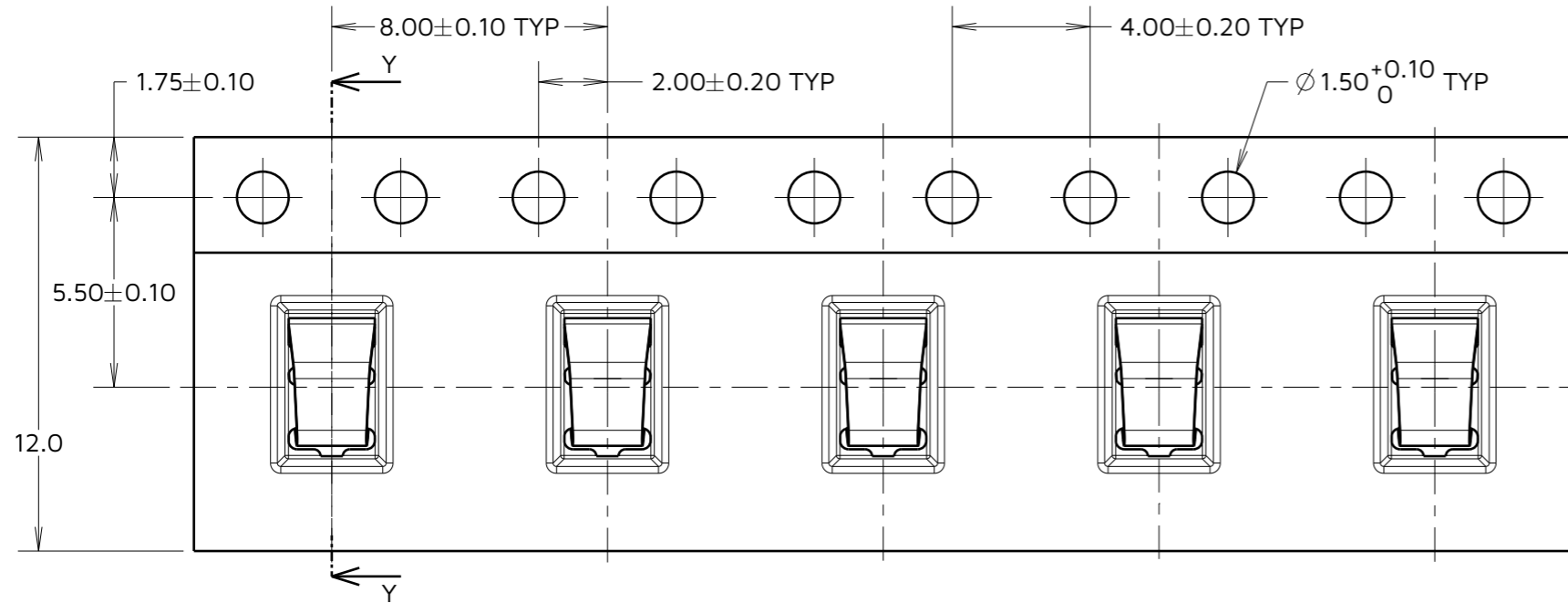
IF IN DOUBT - ASK

©

NOT TO SCALE

THIRD ANGLE PROJECTION

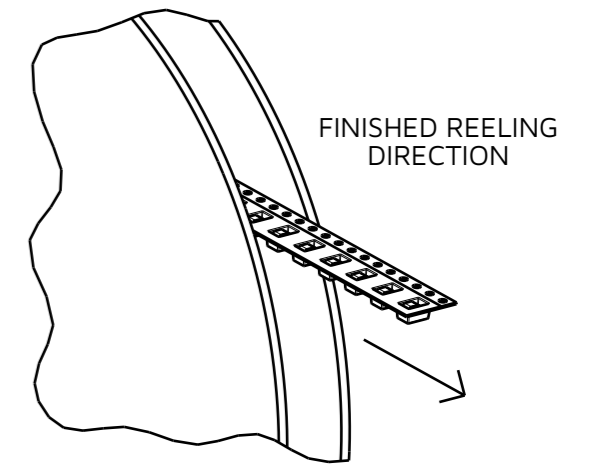
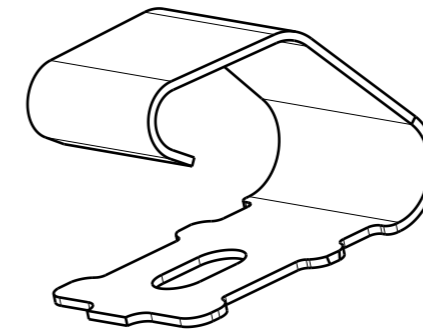
ALL DIMENSIONS IN mm



COMPONENT SPECIFICATION:
 MATERIAL = TITANIUM COPPER ALLOY
 0.10mm THICK
 '42' FINISH = 0.7µm-1.3µm NICKEL, GOLD FLASH ON CONTACT AND 2.54µm MIN 100% TIN ON FOOT AREA.
 '46' FINISH = 2.0µm-3.0µm TIN OVER 0.4µm-1.2µm NICKEL ALL OVER.

RECOMMENDED WORKING HEIGHT = 2.30mm / MIN FORCE = 1.2N
 RECOMMENDED MINIMUM WORKING HEIGHT = 1.90mm

ELECTRICAL:
 CURRENT RATING = 6A
MECHANICAL:
 DURABILITY = 2000 CYCLES
ENVIRONMENTAL:
 OPERATING TEMPERATURE = -55°C TO +125°C



NOTES:
 1. QUANTITY PER REEL = 2500.
 2. GOLD PLATED AREA (S7091-42R ONLY).
 3. ALL TOLERANCES ARE: X.X = ±0.30mm
 X.XX = ±0.15mm
 UNLESS OTHERWISE STATED.

RTP	8	17.01.24	33464
NAME	ISS.	DATE	CN/CO
APPROVED:		R.PORTLOCK	
CHECKED:		A.BOXALL	
DRAWN:		R.ADDE	
ASSEMBLY DRG:			

HARWIN

www.harwin.com

TOLERANCES
 X. = ±1mm
 X.X = ±0.50mm
 X.XX = ±0.20mm
 X.XXX = ±0.01mm
 ANGLES = ±5°
 UNLESS STATED

THIS DRAWING AND ANY INFORMATION OR DESCRIPTIVE MATTER SET OUT HEREON ARE CONFIDENTIAL AND COPYRIGHT PROPERTY OF THE HARWIN GROUP AND MUST NOT BE DISCLOSED, LOANED, COPIED OR USED FOR MANUFACTURING, TENDERING OR FOR ANY OTHER PURPOSE WITHOUT THEIR WRITTEN PERMISSION.

MATERIAL:
 SEE ABOVE

TITLE:
 SMT SHIELD FINGER (2.7mm) IN TAPE AND REEL
DRAWING NUMBER:
 S7091-XXR